

شركة الأهدب

للكهرباء والتجارة



SINCE 1970

Al-Ahdab Co.
Electric & Trading

General Catalog 2023 - 2024

Company Profile

General Information

"Al-Ahdab Co. Electric & Trading" is a Jordanian company that has been established since 1970, supplying various kinds of electric products, accessories, equipment, lighting and electronic products. From this solid background, *"Al-Ahdab Co. Electric & Trading"* has developed its core business to become the exclusive supplier of FANTON, ENERGIZER & EVEREADY LED, COURBI, PERRY, RAY-TECH, ESTIARE, BEGHELLI, MANROSE, TURA, LAMPETI, ELEMATIC, SK-ROSS, FANEXFAN, WEICON, LAROUP, ELETTO BRESCIA and OLYMPIA ELECTRONICS. We are also capable of ensuring other domestic and international major brands and franchises such as SCHNEIDER ELECTRIC, BTICINO, ARNO-CANALI and FUMAGALLI.

"Al-Ahdab Co. Electric & Trading" with its headquarters is located in Khilda. Another branch is located in Jabal AlHuseein where a complete service is provided to our valued customers.

Quality

Thanks to our many years of experience and to the analysis of our customers' needs with more than 50 years experience, we can offer the best products that meet the high quality standards with competitive prices, the fact that has resulted in a significant progress among pioneering companies. To maintain this level of progress, *"Al-Ahdab Co. Electric & Trading"* sustains intensive contact with its local and foreign partners.

Marketing and Sales

In *"Al-Ahdab Co. Electric & Trading"*, our philosophy is to create an outstanding continuity in our business. The high degree of commitment of our sales and the professional employees and marketing staff have enabled our company to export to twenty two countries and to generate profitable relationship with them, for we greatly value beneficial cooperation between foreign and domestic companies.

In 2020 with our celebration of the 50th anniversary of establish *"Al-Ahdab Co. Electric & Trading"* we opened a new department for electrical and mechanical engineering services to support our customers with our best services.

Our General Manager and Chairman of the Board *Mr. Ayman Al-Ahdab* and his entire staff warmly welcome you to visit our company and encourage long term business relationships.

Al-Ahdab Co. Electric & Trading
Executive Board



INDEX



6 - 17

- Household plugs & sockets
- IP44 "HI-PRO" plugs & sockets
- Electric adapters
- Electric multi-socket
- Cable reels
- IP65 Fixture lighting
- CEE Industrial plugs & sockets
- CEE Industrial panels



18 - 24

- Timers
- Photocell
- Motion detectors
- Thermostats
- Relays
- WiFi controllers
- Water level regulators
- Gas detectors



25 - 26

- British standard plugs & sockets
- Data outlet
- Floor boxes



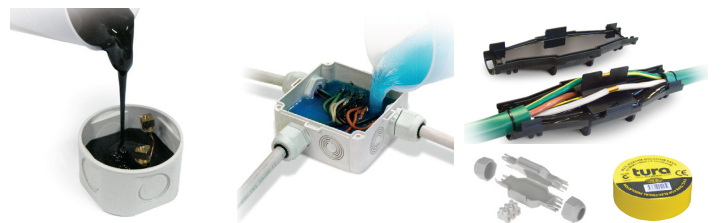
27 - 30

- "Matix" system
- "Classia" system
- "Living NOW" Automation system
- Video Intercomes



31 - 33

- GEL Fillers
- IP68 Joint cables
- Insulation tape
- Cleaners
- Infrared heaters



34

- Nylon fishtape
- Polyester fishtape
- Fiberglass fishtape
- Metal fishtape
- Cables pulling system




35 - 37

- Watertight boxes
- PVC Flexible conduits
- U-PVC Flexible conduits
- Electric manholes
- PVC Trunking system




INDEX




Schneider Electric

- Circuit breakers
- Contactors & Overloads
- Distribution boards
- Relays
- Control & Accessories
- British standard plugs & sockets
- UPS




38 - 50




LAROU

- Cable tray
- Metal pipe
- Earthing system
- Electric Panels
- Stabilizers
- Crimping tools
- Cable lugs
- Industrial Conduit
- Special Cables
- Cables Accessories




51 - 60



ITW CONSTRUCTION PRODUCTS ELEMATIC

- PVC Cable ties
- U-PVC Cable ties
- Electric terminals
- Heat shrink
- Mechanical anchors & screws



61 - 64



WEICON TOOLS
MADE IN GERMANY

- Special electric tools
- Strippers
- Cable cutters
- Scissors
- Special industrial materials



65



ELETTRO BRESCIA
QUALITY CABLES





- Electric cables
- Rubber cables
- PV cables



arnocanali
per portare energia

- Cable trunking system
- Slotted trunking
- Walkable trunking
- Columns, desk & table sockets
- Ground earthing accessories

66 - 67 **68 - 71**



olympia-electronics
SAFETY & SECURITY SYSTEMS

- Emergency light
- Insect trap
- Burglar alarm system
- Fira alarm system



72




Beghelli

- Emergency light
- Indoor lighting
- Outdoor lighting




73 - 76


INDEX



77 - 80


- LED lamps
- LED spot light
- LED panel light
- LED converter
- LED highbay light
- LED smart
- Motion detectors
- Photocell





81 - 84

- LED flood light
- LED stadium light
- LED street light
- LED canopy light
- LED strip light
- LED module light
- LED power supply
- Lighting accessories
- Linear LED
- T5 LED





85

- Outdoor lighting
- Indoor lighting






86


- LED special lighting
- Decorative IP65 LED fixtures
- Decorative LED poles
- Street light poles





87 - 90

- Bathroom fans
- Kitchen fans
- In-Line fans
- Duct accessories
- Ventilation accessories
- Humidity ventilation sensors
- Timers





91 - 97

- Industrial fans
- Industrial blowers
- In-Line Industrial fan
- Fire rated fans
- Mechanical ventilation solutions






SKROSS
ADAPT TO THE WORLD

99

- Special adapters
- Traveller adapters






VIMAR

100

- "PLANA" system
- "NEVE UP" system



Household Plugs & Sockets

Plugs: Easy Model

Code	(A)	Description	Packing	Colour
80005	10	Plug 2P	CE 100	White
80006	10	Plug 2P	CE 100	Black
80015	10	Plug 2P+E	CE 100	White
80016	10	Plug 2P+E	CE 100	Black

Plugs: BI-CO Model

Code	(A)	Description	Packing	Colour
80000	10	Plug 2P	CE 100	White
80020	16	Plug 2P+E	CE 50	White
80021	16	Plug 2P+E	CE 50	Black

Plugs: Flat Model

Code	(A)	Description	Packing	Colour
80032	10	Plug 2P	CE 100	White
80033	10	Plug 2P	CE 100	Black
80030	10	Plug 2P+E	CE 100	White
80031	10	Plug 2P+E	CE 100	Black
80040	16	Plug 2P+E	CE 50	White
80041	16	Plug 2P+E	CE 50	Black

Sockets: BI-CO Model

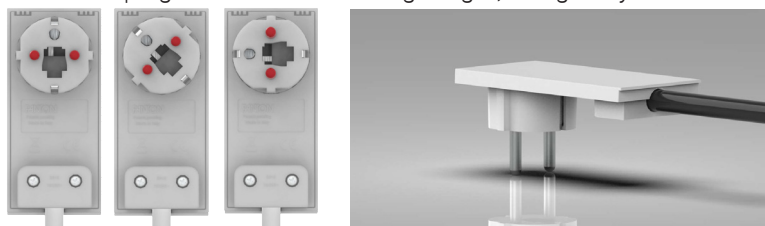
Code	(A)	Description	Packing	Colour
81010	10	Socket 2P+E	CE 50	White
81011	10	Socket 2P+E	CE 50	Black
81000	16	Socket 2P+E	CE 50	White
81001	16	Socket 2P+E	CE 50	Black

"German Standard" Plugs & Sockets

Code	(A)	Description	Packing	Colour
80070	16	Plug 2P+E French/German Std.	CE 50	White
80071	16	Plug 2P+E French/German Std.	CE 50	Black
80075	16	Plug 2P+E French/German Std.	CE 50	White
80076	16	Plug 2P+E French/German Std.	CE 50	Black
81050	16	Socket 2P+E Italian/German Std.	CE 25	White
81051	16	Socket 2P+E Italian/German Std.	CE 25	Black

NEW Flat Plug, will be available soon with German and British Std.

This new plug with variable fixing angle, to give you more flexibility!



"German Standard" HI-PRO Series IP44

Code	(A)	Description	Packing	Colour
80052	16	HI-PRO Professional Plug 2P+E French/German Std. - IP44	CE 20	Black
81032	16	HI-PRO Professional Socket 2P+E German Std. - IP44	CE 20	Black
81033	16	HI-PRO Professional Connector With Sockets 3 x 2P+E German Std. - IP44	CE 10	Black

Adapters



One-Way Adapters for Household Appliances

Code	(A)	Description	Packing	Colour
82120	10	Adapter - Plug: 2P+E 10A Italian std. Socket: 2P+E 16A Italian/German std.	CE 50	White
82121	10	Adapter - Plug: 2P+E 10A Italian std. Socket: 2P+E 16A Italian/German std.	CE 50	Black
82120-0065A	10	Adapter - Plug: 2P+E 10A Italian std. Socket: 2P+E 16A Italian/German std.	CE 24	Colors
82130	16	Adapter - Plug: 2P+E 16A Italian std. Socket: 2P+E 16A Italian/German std.	CE 50	White
82130-0065A	16	Adapter - Plug: 2P+E 16A Italian std. Socket: 2P+E 16A Italian/German std.	CE 24	Colors

Three-Way Adapters for Household Appliances

Code	(A)	Description	Packing	Colour
82200	10	Three-way adapter - Plug: 2P+E Sockets: 2P+E	CE 50	White
82210	10	Three-way adapter - Plug: 2P+E Italian std. 2 Sockets 2P+E Italian std. + 1 Italian/German std.	CE 20	White
87250	16	Three-way FLAT adapter - Plug: 2P+E Sockets: 2P+E	CE 40	White
87240	16	Three-way adapter - Vertical plug 2P+E 16A VERTICAL SYSTEM Sockets 2 x 2P+E + one socket Italian/German std.	CE 20	White
87230	16	Three-way adapter - Plug 2P+E French/German std. Sockets 2 x 2P+E + one socket Italian/German std.	CE 20	White
82260	16	Three-way adapter German std	CE 20	White
87800	16	Three-way adapter - Plug: 2P+E - 3 Sockets 2P+E + 2 USB sockets	CE 12	White
87300	16	Two-way adapter - Vertical plug 2P+E 16A VERTICAL SYSTEM Sockets 2 x 2P+E Italian/German std. With Overload Protection	CE 12	White

Multi Adapters for Household Appliances

Code	(A)	Description	Packing	Colour
81080	10	Adapter - Plug: 2P+E 10A Italian/German std. Socket: 2P+E 13A British std. + 2P 16A Germa std.	CE 50	White
81085	16	Adapter - Plug: 2P+E 16A German std. Socket: 2P+E 13A British std. + 2P 16A Germa std.	CE 50	White

Traveller Adapters with USB

Code	Description	Packing	Colour
878811	Traveller adapter	CE 6	Black
878821	Traveller adapter with USB	CE 6	Black

Extensions / Multi-Sockets



"Fido" Multi-Socket

Code	(A)	Description	Packing	Colour
410130	16	M.socket w/o cable 4 Sockets 2P+E Italian/ German std.	CE 12	White
410131	16	M.socket w/o cable 4 Sockets 2P+E Italian/ German std.	CE 12	Black
410230	16	M.socket w/o cable 6 Sockets 2P+E Italian/ German std.	CE 12	White
410231	16	M.socket w/o cable 6 Sockets 2P+E Italian/ German std.	CE 12	Black
410320	16	M.socket w/o cable 6 Sockets 2P+E Italian/ German std. + switch	CE 12	White
410321	16	M.socket w/o cable 6 Sockets 2P+E Italian/ German std. + switch	CE 12	Black

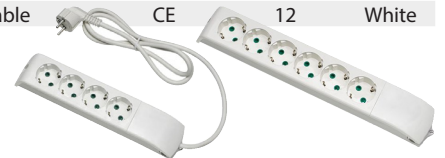
Code	(A)	Description	Packing	Colour
410180	16	"FIDO-PRO" M.socket w/o cable 4 Sockets 2P+E Italian/German std. + Gland	CE 12	White
4101121	16	"FIDO" M.socket, 1.5 mtr. cable, 4 Sockets 2P+E Italian/German std.	CE 12	Red



Code	(A)	Description	Packing	Colour
410105	16	M.socket 1.5 meters cable 4 Sockets 2P+E Italian/German std.	CE 12	Colors

Code	(A)	Description	Packing	Colour
4101100	16	M.socket 3 meters cable 4 Sockets 2P+E Italian/German std.	CE 12	White
4103000	16	M.socket 3 meters cable 6 Sockets 2P+E Italian/German std. + switch	CE 12	White
474602DE	16	M.socket 3 meters cable 3 Sockets 2P+E Italian/German std. + switch	CE 12	White
47480DE	16	M.socket 3 meters cable 3 Sockets 2P+E Italian/German std. + switch + USB	CE 12	White

Code	(A)	Description	Packing	Colour
4102103DE	16	6 Sockets German std. + 3 meters cable	CE 12	White
4201103DE	16	4 Sockets German std. + 3 meters cable	CE 12	White
420230DE	16	6 Sockets German std. without cable	CE 12	White



Code	(A)	Description	Packing	Colour
40653-3-8016A	16	4 Sockets German std. + 3 meters cable + switch	CE 12	Grey

Code	(A)	Description	Packing	Colour
42122-8016A	16	6 Sockets Italian std. + 3 Socket German Std. 3 meters cable	CE 12	White



Extensions / Multi-Sockets



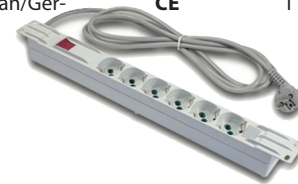
"BIPASSO" Multi-Socket



Code	(A)	Description	Packing	Colour	
41022	16	4 Sockets Italian std. w/o cable	CE	25	White
41024	16	4 Sockets Italian std. w/o cable	CE	25	Black
41042	16	6 Sockets Italian std. w/o cable	CE	12	White
41000	10	3 Sockets Italian std. 1.5 meters cable	CE	12	White
41022-8016A	16	4 Sockets Italian std. 3 meters cable	CE	12	White

Code	(A)	Description	Packing	Colour	
47105	16	2 Sockets Italian std. + 1 Socket German Std. 1.5 meters cable with Italian std. Plug 16A	CE	12	White
471051	16	2 Sockets Italian std. + 1 Socket German Std. 1.5 meters cable with German std. Plug 16A	CE	12	White

Code	(A)	Description	Packing	Colour	
40266	10	4 Sockets Italian / German / US std. 3 meters cable	CE	50	White
23201	16	Rack 19" M.Socket, 6 sockets Italian/German std., 3 mtr. cables + switch	CE	1	Grey



"British Standard" Multi-Socket

Code	(A)	Description	Packing	Colour	
40617-3-8016A	13	4 Sockets British std. 3 meters cable + switch	CE	12	Gray
40637-3-8016A	13	6 Sockets British std. 3 meters cable + switch	CE	12	Gray
40240	13	4 Sockets British std. w/o cable + switch	CE	12	White

"Universal" Multi-Socket

Code	(A)	Description	Packing	Colour	
40713-8016A	16	5 Sockets British / German / Italian std. 3 meters cable + switch	CE	12	Black
40813-8016A	16	4 Sockets British and German std. 3 meters cable + switch	CE	12	Gray

"Special" Extensions

Code	(A)	Description	Packing	Colour	
90141	16	Extensible patch cord 5 m. 3G1,5. Without plug and socket	CE	12	Black
90140	16	Extensible patch cord 5 m. 3G1,5. Without plug and socket	CE	12	White
90130	10	Extensible patch cord 5 m. 3G1. Without plug and socket	CE	12	White
90190	10	Extensible patch cord 10 m. 3G1. Without plug and socket	CE	12	White
90191	10	Extensible patch cord 10 m. 3G1. Without plug and socket	CE	12	Black
82879	16	TAK-TAK double adaptor, plug IEC C14 std. 2P+E 10A 1 socket IEC C13 std. 2P+E 10A 1 socket italian-dual-size/german std. 2P+E 16A	CE	12	Black
92080	10	Linear patch cord cable 3 m. 3G0,75 H05VV-F plug italian std. 2P+E 10A socket italian std. 2P+E 10A	CE	25	White

CEE Industrial Plugs & Sockets



IP44

Trailing Plugs

Code	(A)	Description			Packing	Colour
70100	16	Trailing plug Argo - 2P+E 230V 16A	IP44	CE	40	White-Blue
70104	16	Trailing plug Argo - 3P+E 400V 16A	IP44	CE	40	White-Red
70105	16	Trailing plug Argo - 3P+N+E 400V 16A	IP44	CE	40	White-Red
70120	32	Trailing plug Argo - 2P+E 230V 32A	IP44	CE	20	White-Blue
70124	32	Trailing plug Argo - 3P+E 400V 32A	IP44	CE	20	White-Red
70125	32	Trailing plug Argo - 3P+N+E 400V 32A	IP44	CE	20	White-Red
70000	16	Trailing plug Argo - 2P+E 200-250V Screw wiring	IP44	CE	40	White-Blue



Trailing Sockets

Code	(A)	Description			Packing	Colour
71100	16	Trailing socket Argo - 2P+E 230V 16A	IP44	CE	40	White-Blue
71104	16	Trailing socket Argo - 3P+E 400V 16A	IP44	CE	40	White-Red
71105	16	Trailing socket Argo - 3P+N+E 400V 16A	IP44	CE	40	White-Red
71120	32	Trailing socket Argo - 2P+E 230V 32A	IP44	CE	20	White-Blue
71124	32	Trailing socket Argo - 3P+E 400V 32A	IP44	CE	20	White-Red
71125	32	Trailing socket Argo - 3P+N+E 400V 32A	IP44	CE	20	White-Red

Wall-Mounted Sockets

Code	(A)	Description			Packing	Colour
71300	16	Wall-mounted socket Argo - 2P+E 230V 16A	IP44	CE	10	White-Blue
71304	16	Wall-mounted socket Argo - 3P+E 400V 16A	IP44	CE	10	White-Red
71305	16	Wall-mounted socket Argo - 3P+N+E 400V 16A	IP44	CE	10	White-Red
71320	32	Wall-mounted socket Argo - 2P+E 230V 32A	IP44	CE	10	White-Blue
71324	32	Wall-mounted socket Argo - 3P+E 400V 32A	IP44	CE	10	White-Red
71325	32	Wall-mounted socket Argo - 3P+N+E 400V 32A	IP44	CE	10	White-Red
70325	32	Wall-mounted plug Argo - 3P+N+E 400V 32A	IP44	CE	10	White

Antertainment Plugs & Sockets

Code	(A)	Description			Packing	Colour
70107	16	Trailing plug Argo - 2P+E 230V 16A	IP44	CE	40	White-Blue
71107	16	Trailing socket Argo - 2P+E 230V 16A	IP44	CE	40	White-Red

71107



70107



70100
70120



70104
70124



70105
70125



71100
71120



71104
71124



71105
71125



71300
71320



71304
71324



71305
71325



70325

CEE Industrial Plugs & Sockets



IP67

Trailing Plugs

Code	(A)	Description			Packing	Colour
70140	16	Trailing plug Argo - 2P+E 230V 16A	IP67	CE	40	White-Blue
70144	16	Trailing plug Argo - 3P+E 400V 16A	IP67	CE	40	White-Red
70145	16	Trailing plug Argo - 3P+N+E 400V 16A	IP67	CE	40	White-Red
70160	32	Trailing plug Argo - 2P+E 230V 32A	IP67	CE	20	White-Blue
70164	32	Trailing plug Argo - 3P+E 400V 32A	IP67	CE	20	White-Red
70165	32	Trailing plug Argo - 3P+N+E 400V 32A	IP67	CE	20	White-Red
70180	63	Trailing plug - 2P+E 230V 63A	IP67	CE	2	Gray-Blue
70200	125	Trailing plug - 2P+E 230V 125A	IP67	CE	2	Gray-Blue
70185	63	Trailing plug - 3P+N+E 400V 63A	IP67	CE	2	Gray-Red
70205	125	Trailing plug - 3P+N+E 400V 125A	IP67	CE	2	Gray-Red

Trailing Sockets

Code	(A)	Description			Packing	Colour
71140	16	Trailing socket Argo - 2P+E 230V 16A	IP67	CE	40	White-Blue
71144	16	Trailing socket Argo - 3P+E 400V 16A	IP67	CE	40	White-Red
71145	16	Trailing socket Argo - 3P+N+E 400V 16A	IP67	CE	40	White-Red
71160	32	Trailing socket Argo - 2P+E 230V 32A	IP67	CE	20	White-Blue
71164	32	Trailing socket Argo - 3P+E 400V 32A	IP67	CE	20	White-Red
71165	32	Trailing socket Argo - 3P+N+E 400V 32A	IP67	CE	20	White-Red

Wall-Mounted Sockets

Code	(A)	Description			Packing	Colour
71306	16	Wall-mounted socket Argo - 2P+E 230V 16A	IP67	CE	10	White-Blue
71307	16	Wall-mounted socket Argo - 3P+E 400V 16A	IP67	CE	10	White-Red
71308	16	Wall-mounted socket Argo - 3P+N+E 400V 16A	IP67	CE	10	White-Red
71326	32	Wall-mounted socket Argo - 2P+E 230V 32A	IP67	CE	10	White-Blue
71327	32	Wall-mounted socket Argo - 3P+E 400V 32A	IP67	CE	10	White-Red
71328	32	Wall-mounted socket Argo - 3P+N+E 400V 32A	IP67	CE	10	White-Red
70380	63	Wall-mounted socket - 2P+E 230V 63A	IP67	CE	2	Gray-Blue
70400	125	Wall-mounted socket - 2P+E 230V 125A	IP67	CE	2	Gray-Blue
70385	63	Wall-mounted socket - 3P+N+E 400V 63A	IP67	CE	2	Gray-Red
70405	125	Wall-mounted socket - 3P+N+E 400V 125A	IP67	CE	2	Gray-Red
70325	32	Wall-mounted plug Argo - 3P+N+E 400V 32A	IP44	CE	10	White



70140
70160



70144
70164



70145
70165



71140
71160



71144
71164



71145
71165



71306
71326



71307
71327



71308
71328



70325



70180
70200
70185
70205



70380
70400
70385
70405



CEE Industrial Interlocked System **FANTON**[®]

FABBRICA MATERIALE ELETTRICO

IP67

Wall-Mounted Interlocked Sockets

Code	(A)	Description	Packing	Colour
73240	16	Flush interlocked socket 2P+E 230V IP67	CE	White-Blue
73244	16	Flush interlocked socket 3P+E 400V IP67	CE	White-Red
73245	16	Flush interlocked socket 3P+N+E 400V IP67	CE	White-Red
73260	32	Flush interlocked socket 2P+E 230V IP67	CE	White-Blue
73264	32	Flush interlocked socket 3P+E 400V IP67	CE	White-Red
73265	32	Flush interlocked socket 3P+N+E 400V IP67	CE	White-Red
73440	63	Flush interlocked socket 2P+E 230V IP67	CE	White-Blue

73440



Wall-Mounted Interlocked Panels & Accessories

Code	(A)	Description	Packing	Colour
74175	-	Key-Block Single Panel IP65	CE	Gray
74176	-	Key-Block Double Panel IP65	CE	Gray
74180	-	Ulisse Panel 6 way IP65	CE	Gray
74181	-	Ulisse Panel 12 way IP65	CE	Gray
71084	16	"Key-Block / Ulisse" German Std. Socket IP44	CE	Blue
71083	16	"Key-Block / Ulisse" Italian Std. Socket IP44	CE	Blue
74185	-	"Key-Block" Drilled Flange for 2 Sockets	CE	Gray
74189	-	"Key-Block" Blind Flange	CE	Gray
73990	-	"Key-Block" Surface Mounted Box	CE	Gray
73992	-	Spare Switch for Interlocked Socket	CE	10 S.S
73989	-	Fixing Device for Ulisse Panel	CE	5 Black
73987	-	Kit of 4 Screws for Fixing Device for Ulisse Panel	CE	20 S.S
74993	-	Small Zinc-plated iron support for ULISSE board	CE	1 S.S
74994	-	Universal support for POLIFEMO MIDI and MAXI boards of chromium-plated steel	CE	1 S.S
74206	-	Empty Ulisse Panel for 6 sockets MAX 32A IP65	CE	1 Gray

74175

74176

74180

74181



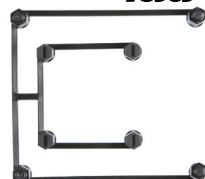
73990

73992



73989

73987



74993

74994



CEE Polifemo MIDI & Maxi Boards



For more information,
kindly contact with our technical department...





CEE Adapters

Adapters For Industrial Appliances

73114



Code	(A)	Description	Packing	Colour	
73000	16	Adapter for industrial purposes from plug 2P+E 16A to socket 2P+E 16A CEE	CE	12	White-Blue
73001	16	Adapter for industrial purposes from plug 2P+E 16A FRENCH/GERMAN std to socket 2P+E 16A CEE	CE	12	White-Blue
73090	16	Adapter for industrial purposes from plug 2P+E 250V 16A CEE to 2 sockets 2P+E 250V 16A Italian std + 1 socket 2P+E 250V 16A Italian Dual Size and German std	CE	12	White-Blue
73010	16	DUPLEX adaptor for industrial purposes plug italian std. 2P+E 16A: 1 socket italian-dual-size/german std. 2P+E 16A 1 socket 2P+E 16A 200-250V 6h IP44	CE	6	White-Blue
73101	16	Adapter for industrial purposes IP44 from plug 2P+E 250V 16A CEE to 2 sockets 2P+E 250V 16A Italian Dual Size std	CE	12	White-Blue
73108	16	Adapter for industrial purposes IP44 from plug 2P+E 250V 16A CEE to socket 2P+E 250V 16A Italian Dual Size and German std	CE	12	White-Blue
73020	16	OPTIMUS converter plug for industrial purposes IP44. Plug 2P+E 16A 200-250V 6h IP44. Socket italian-dual-size/german std. 2P+E 16A	CE	6	White-Blue
73104	16	Adapter for industrial purposes IP44 from plug 2P+E 250V 16A CEE to 2 sockets 2P+E 250V 16A Italian Dual Size and German std	CE	12	White-Blue
73120	16	Multi-way adapter for industrial purposes with 3 sockets 2P+E 250V 16A CEE IP67	CE	12	White-Blue
73140	16	Multi-way adapter for industrial purposes with 3 sockets 3P+E 250V 16A CEE IP67	CE	12	White-Red
73102	16	Adaptor from plug CEE 230V to 1P30 IP44	CE	12	White-Blue
73114	16	Adaptor from plug CEE 230V to 2x German std. IP44	CE	6	White-Blue
73128	16	daptor from plug CEE 230V to 2 sockets CEE+1P30 IP44	CE	6	White-Blue

Cable Reels

Industrial - Cable Reels

Code	(A)	Description	Packing	Colour	
14390UG	16	Free Metal Cable Reel /German Std. Sockets	CE	3	Gray
14569UK	13	Free Metal Cable Reel /British Std. Sockets	CE	3	Gray
10229UG	16	Free Plastic Cable Reel /German Std. Sockets #50		3	Black
12209UG	16	Free Plastic Cable Reel with tires /German Std. Sockets	CE	1	Orange
145601	16	Cable Reel 4xGerman Std. Socket + Overload / 25 Meters	CE	1	Gray
145611	16	Cable Reel 4xGerman Std. Socket + Overload / 50 Meters	CE	1	Gray
01907	16	4xGerman Std. Socket + Overload	CE	50	Black
01909	13	3xBritish Std. Socket + Overload	CE	50	Black
01912	16	3x2P+E - IP67 Industrial Sockets + Overload	CE	10	Black
01913	16	2x2P+E - IP67 Industrial Sockets + 1xGerman Std. Socket + Overload	CE	10	Black
14728		Free Plastic Cable Reel /German Std. Sockets #25	CE	3	Black



Home Cable Reels

Code	(A)	Description	Packing	Colour	
146100	16	Plastic Cable Reel 4xGerman Std. Socket + Overload / 10 Meters	CE	4	Green
146101	16	Plastic Cable Reel 4xGerman Std. Socket + Overload / 15 Meters	CE	4	Green



146100
146101



12209UG



"FANTON" Light

IP65 Fixtures, LED Touch & Garage (Car) Lighting



Code	(W)	Description	Packing	Colour	
62720	60	Oval ceiling light fixture 215x125x110mm - IP65 - 60W - E27 opaline polycarbonate	CE	10	White
62723	60	Oval ceiling light fixture 215x125x110mm - IP65 - 60W - E27 opaline polycarbonate	CE	10	Red
62730	60	Round ceiling light fixture Ø 215mm - IP65	CE	10	White
62731	60	60W - E27 opaline polycarbonate dome	CE	10	Black
62732	60		CE	10	Grey
62750	100	Round ceiling light fixture Ø 290mm - IP65 - 100W - E27 opaline polycarbonate dome	CE	5	White
62750-A	100	Round ceiling light fixture Ø 290mm - IP65	CE	5	White
62750-C	100	- 100W - E27 opaline polycarbonate dome with white frame	CE	5	White
62740	100	Oval ceiling light fixture Ø 280mm - IP65 - 100W - E27 opaline polycarbonate dome	CE	5	White
62740-A	100	Oval ceiling light fixture Ø 280mm - IP65 - 100W - E27 opaline polycarbonate dome	CE	5	White
62740-C	100	with white frame	CE	5	White
61080	60	E27 Light, 10 Meters, Max 60 watts	CE	10	Orange
62988	250	Extendable luminary with 10 lights IP44, cable 10 + 1,5 mtr., plug German std. 2P 16A, with 10 lamp-holders E27, max wattage 25W (each light)	CE	5	White
62989	250	Extendable luminary with 10 lights IP44, cable 10 + 1,5 mtr., plug German std. 2P 16A, with 10 lamp-holders E27, max wattage 25W (each light)	CE	5	Black
62567	-	Portable flooding lamp 170-30 lm	CE	6	Black-Orange
62570	-	Professional adjustable portable LED lamp 550+140 lm	CE	1	Black
62569	-	Headlamp with white and red lights 4-20 hours depend to the selected light	CE	6	Black
87992	1	Night light with twilight sensor plug italian std. 2P	CE	12	White
62645	-	Telescopic support for flood-lights Max height 1,30 mtr.	CE	6	Black

MC4 Connectors

Code	Description	Packing	Colour	
A99951	Kit with a pair of male/female loose connectors	CE	200	Black
A99993	Pair of assembly keys for MC4 connectors	CE	100	Black





"FANTON" Accessories

"OPERA PLUS" System



Code	(A)	Description	Packing	Colour
42100	16	2 x Italian / German std. sockets, Plana	CE 6	White
42101	16	2 x Italian / German std. sockets, Plana	CE 6	Black
42100-59	16	2 x Italian / German std. sockets, L.NOW	CE 6	White
42100-60	16	2 x Italian / German std. sockets, L.NOW	CE 6	Black
42100-27	16	2 x Italian / German std. sockets, Matix	CE 6	White
421000-59	16	2 x Italian / German std. sockets, L.NOW + USB-C 5V 3A	CE 6	White
421000-60	16	2 x Italian / German std. sockets, L.NOW + USB-C 5V 3A	CE 6	Black
42199	-	Wall box for OPERA IP55	CE 6	Grey
421021	16	IP55 2 x Italian / German std. sockets 2P+E 16A, suitable for 3 modules box	CE 6	Grey
23954	-	3 Modules blank cover	CE 10	White
23955	-	3 Modules surface mounted box	CE 10	White



421000-60



42199



23955



23954

"FANTONET" Products

Code	(A)	Description	Packing	Colour
21340	-	Spare extensible 4-wire telephonic patch cord 4,8 m. with 2 plugs 4/4 c.	CE 25	White
64040	200	Plier 200A length with handles 220÷222 mm., Length without handles 191÷193 mm	CE 2	Red/Black
A99990	-	MC4 Crimping tool	CE 1	Black
23990	-	Plier for fixing of plugs 4, 6, 8 pins	CE 1	Black
A10000	-	2x0.35 mm Flat cable	CE 100 mtr.	White
23728	-	8/8 c. RJ45 cat.6 unshielded modular plug with insert	CE 100	Transparent
23727P	-	Plug RJ45 CAT6 UTP pass-through	CE 100	Transparent
23729P	-	Plug RJ45 CAT6 FTP pass-through	CE 100	Transparent
23723	-	8/8 c. RJ45 cat.6 unshielded modular plug TOOLESS	CE 50	White
23753	-	8/8 c. RJ45 full-shielded TOOLESS modular joint cat.6 for flexible and rigid cable	CE 10	Metal
23730	-	Coloured plug sheath for RJ45	CE 50	Grey
23731	-	Coloured plug sheath for RJ45	CE 50	Green
23748	-	Coupler RJ45 CAT6 inline	CE 30	White
23698	-	Coupler RJ45 CAT6 full-shielded inline IP68	CE 20	Black



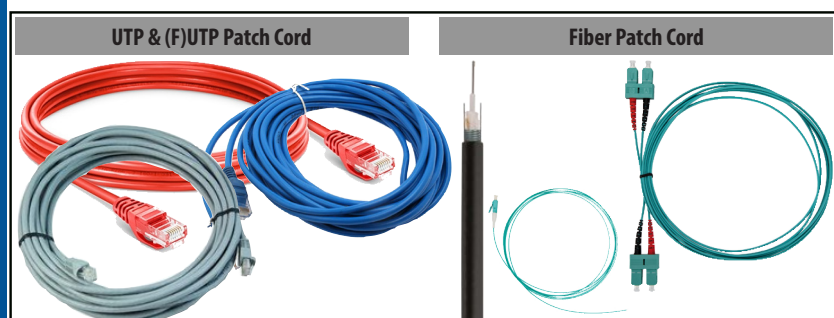
62970



62971



62828



UTP & (F)UTP Patch Cord

Fiber Patch Cord

FANTON Key Stone Sockets for Magic System



Code	Description		Packing	Colour
23927	Adaptor support for Bticino-Matix	CE	10	○
23957	Adaptor support for AVE-44	CE	10	○
23939	Adaptor support for Vimar-Plana	CE	10	○
23959	Adaptor support for Bticino-Living Now	CE	10	○
23960	Adaptor support for Bticino-Living Now	CE	10	●
32190	SAT socket	CE	10	○
32191	SAT socket	CE	10	●
82888	2 x USB socket 2.1A - Type A	CE	10	○
82893	2 x USB socket 3A - Type A + C	CE	10	○
23708	RJ12 socket	CE	10	○
23709	RJ12 socket	CE	10	●
23710	RJ45 socket CAT6	CE	10	○
23712	RJ45 socket CAT6	CE	10	●
32100	Camera	CE	1	●



FANTON, has many automatic cable reels 10, 15 and 25 meters

With different cable sizes:

2G1 mm

2G1.5 mm

3G1.5 mm

This cable reel supplied with thermal cut-out

For more information, kindly contact our sales department:
infor@alahdabco.com



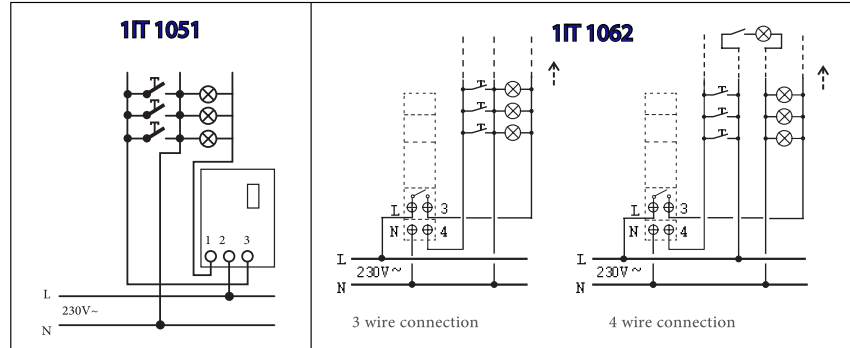


Staircase Timers

Staircase Timers

Code	Description	(A)	Packing
1IT 1051	Electronic timer switch, can perfectly replace the three-wire electromechanical models made in Germany, Spain, etc, 3 wires connection	CE 16	10
1IT 1062	Staircase timer 1 DIN, connection with 3 or 4 wires	CE 16	10

WIRING DIAGRAMS



1IT 1051



1IT 1062



1IO 0017



1IO 0021



1IO 0022



1IO 0024

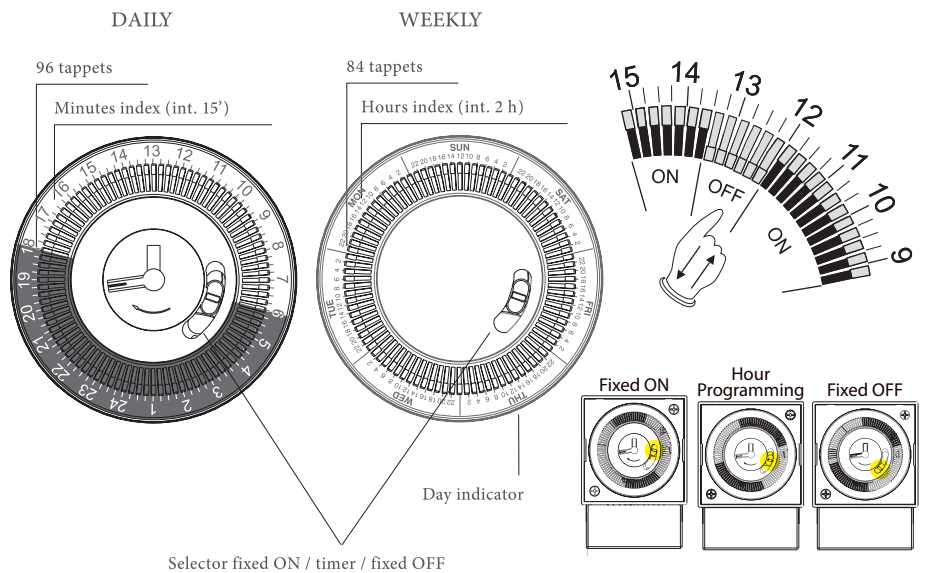


1IO 0055

Time Switches

Electromechanical Time Switches With Tappets

Code	Description	(A)	Packing
1IO 0017	Daily time switch with tappets without charge reserve	CE 16	10
1IO 0021	Daily time switch with tappets without charge reserve, 2-DIN	CE 16	10
1IO 0022	Daily time switch with tappets with charge reserve, 2-DIN	CE 16	10
1IO 0024	Weekly time switch with tappets with charge reserve, 2-DIN	CE 16	10
1IO 0055	Daily time switch, plug/socket Shuko, 3500VA	CE 16	10



Time Switches

Digital Time Switches

Code	Description	(A)	Packing
1IO 7080	Digital daily time switch with automatic daylight saving time change 1 channel - 2 DIN	CE	16
1IO 3291	Digital weekly-yearly time switch with menu driven programming, 2 channel - 2 DIN	CE	16
1IO 5091S	Digital Time Switch With Menu Driven Programming (with programming key) & Synchronizable with GPS antenna	CE	16
1IO 4291	Astronomical twilight time switch 2 channel - 2 DIN (ASTRO-LUX-TIME)	CE	16
1IO 1070	Digital daily time switch with automatic standard time / daylight saving time change - 1 DIN	CE	16
1IO 0012D15	Digital daily time switch with tappets and display 72x72	CE	16
1IO 0016D15	Digital weekly time switch with tappets and display 72x72	CE	16
1PR 6092	Outdoor cadmium-free probe (Photocell) For Astronomical twilight time switch	CE	-
1PR EMD01	External memory key for downloading and uploading programs	CE	-
1PR AUSB01	USB adapter to connect the "EMD" programming key to the PC and upload programs	CE	-
1IO SW001	programming software allows you to set programs quickly and conveniently on a computer	CE	-
1PA RXGPS01	Satellite GPS time signal receiver for synchronized time switches	CE	-



1IO 7080



1IO 4291
1IO 3291
1IO 5091S



1IO 1070



1IO 0012D15
1IO 0016D15



1PR 6092



1PR EMD01



1PR AUSB01



1IO SW001



1PA RXGPS01

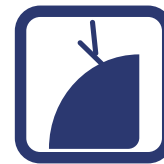
ASTRO

It's an astronomical switch



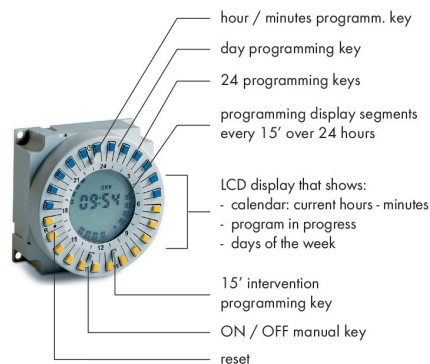
LUX

It's a twilight switch



TIME

it's a time switch



110 IOWF02



WiFi-Time Switches



WiFi TIMER

Code	Description	(A)	Packing
110 IOWF02	Wi-Fi time switch - 2 DIN	CE 16	1

Perry's Wi-Fi time switch, in the presence of a Wi-Fi network, can be programmed, viewed and modified via App from smartphones, iOS tablets and Android over Internet.

The App allows you to manage a single device or groups of devices and offers the possibility to consult historical management records to optimize programs and intervention times.

TOTAL CONTROL:

Through APP you can manage all connected devices from a single screen. The Perry Timer APP offers a complete solution that includes the Timer, Random, Countdown and Cyclic functions.

EFFICIENT MANAGEMENT:

All the switches and therefore all the devices connected to them can be managed quickly and easily via the App just as if this were a remote switch.

Furthermore, it is possible to analyze the usage record of each individual circuit breaker to check the exact period of operation during the day.

Functions:

- Timer
- Countdown
- Random
- Cyclic
- History



Wi-Fi Time switches

Manage connected devices worldwide from smartpone

Italian producers since 1969 



1IC 7243



1SD SD05CEM2MID



1RT 200/MT/MF



**1CL RLG02/3PVC
1CL RLG02/5PVC**



1CL RLE230/2



1CL RLE230E/2



1CL SF010

PHOTOCELL LIGHTING CONTROL SWITCHES

IP65 Photocell

Code	Description		(A)	Packing
1IC 7243	Photocell lighting control switch for wall-mounting and/or pole installation IP65	CE	16	10

MEASURING INSTRUMENTS

Code	Description		(A)	Packing
1SD SD-05CEM2MID	Single phase digital energy counter - 2 DIN	CE	100	3

ELECTROMECHANICAL STEP RELAYS

Code	Description		(A)	Packing
1RT 200/MT/MF	Multifunction, multi voltage timer relay with display - 1DIN 12 - 24 - 48 - 110 - 230 Vac 50 / 60 Hz 14 Functions available in the display	CE	16	5

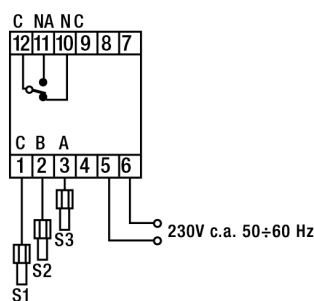
LEVEL REGULATORS FOR CLEAR WATER

Code	Description		(A)	Packing
1CL RLG02/3PVC	Floating level regulator for clear water, PVC cable 3x1, 3m long	CE	10	5
1CL RLG02/5PVC	Floating level regulator for clear water, PVC cable 3x1, 5m long	CE	10	5

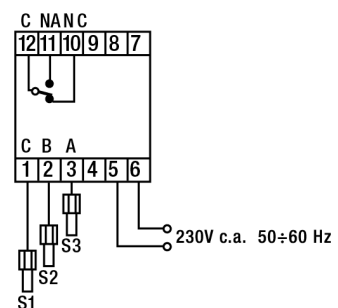
ELECTRONIC LEVEL REGULATORS FOR CLEAR WATER

Code	Description		(V)	Packing
1CL RLE230/2	Electronic level regulator - 2DIN	CE	230	1
1CL RLE230E/2	Electronic level regulator series E evolved - 2DIN	CE	230	1
1CL SF010	Probe with electronic wire connection	CE	-	1

1CL RLE230E/2



1CL RLE230/2



MOTION AND PRESENCE DETECTORS



1SP SP050

1SP RM030B



1SP SP010



1SP SP003B



1SP SP015



1SP SP020



1SP SP016



1LE 002

MOTION DETECTOR FOR RECESS MOUNTING IN WALL BOXES

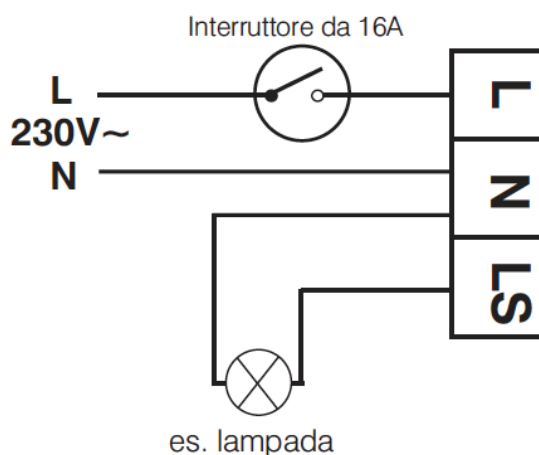
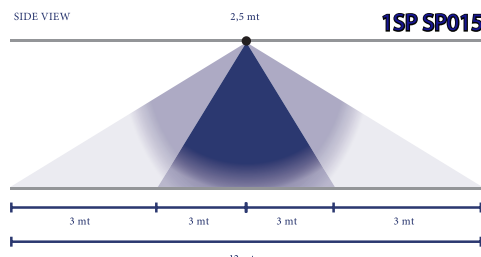
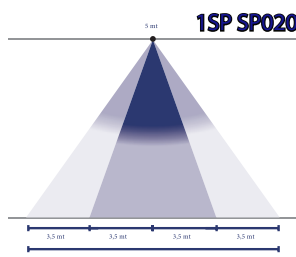
Code	Description		(A)	Packing
1SP SP050	Motion detector for recess mounting in wall box, white lens - IP40	CE	16	10
1SP RM030B	Motion detector 1 module for recessed box - IP40	CE	16	10

WALL-MOUNTED MOTION DETECTORS

Code	Description		(A)	Packing
1SP SP010	Wall-mounted motion detector IP44	CE	16	10
1SP SP003B	Wall-mounted infrared motion detector "CUBE" IP54	CE	16	10

CEILING-MOUNTED AND RECESS MOUNTED IN FALSE CEILINGS

Code	Description		(A)	Packing
1SP SP015	Ceiling mounted infrared presence detector IP20	CE	16	10
1SP SP020	Recess mounted in ceiling infrared presence detector IP20	CE	16	10
1SP SP016	Recess mounted in ceiling infrared presence detector IP20 , with remote control	CE	16	10



MAGIC EMERGENCY

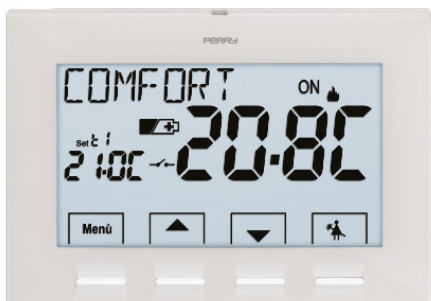
Emergency Light

Code	Description		(LM)	Packing
1LE 002	AUTOMATIC EMERGENCY LED LAMP EXTRACTABLE TORCH	CE	20	5

1TX CR029WIFI



1TP TE028B
1TP TE029B



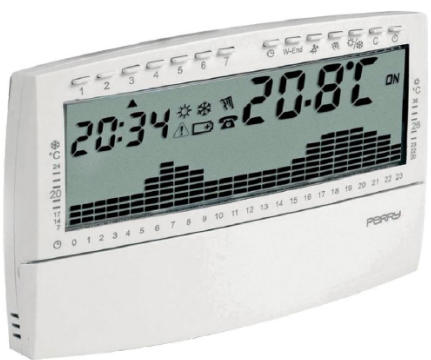
1TP TE028A



1TI TE541



1CR CR018BS



THERMOSTATS



WI-FI PROGRAMMABLE THERMOSTAT

Code	Description	Color	Packing
1TX CR028WIFI	Wi-Fi prorammmable thermostat	CE	1



WIRED PROGRAMMABLE DIGITAL THERMOSTATS

Code	Description	Color	Packing
1TP TE028B	"NEXT" Series menu driven daily digital thermostat, 3V	White	1
1TP TE028A	"NEXT" Series menu driven daily digital thermostat, 3V	Black	1
1TP TE029B	"NEXT" Series menu driven daily digital thermostat, 230V	White	1
1TI TE541	"MOON Soft Touch" series menu driven daily digital thermostat, 230V	White	1
1CR CR018BS	"UP & DOWN Compact" weekly digital programmable thermostat 3V series	White	1
1TP TE530B	"ZEFIRO" series 80 x 80 digital thermostat 3V	White	1
1TP TE531B	"ZEFIRO" series 80 x 80 digital thermostat 230V	White	1
1TP TE011B	Digital thermostat 3V	White	1

1TP TE530B
1TP TE531B



1TP TE011B



THERMOSTAT ACCESSORIES

Code	Description	Color	Packing
1TX ME01WIFI	WIFI thermostat Power meter - 1 DIN	White	1
1AC BP08230	4-zones control box with 8 +1 relay outputs		

1TX ME01WIFI



1AC BP08230





1DC ACPH13



1DC ASE02N



1DC DI009

1GA 50917GPL/1.2



1GA 50917GPL/P



AUTOMATIC HYGIENE DEVICES



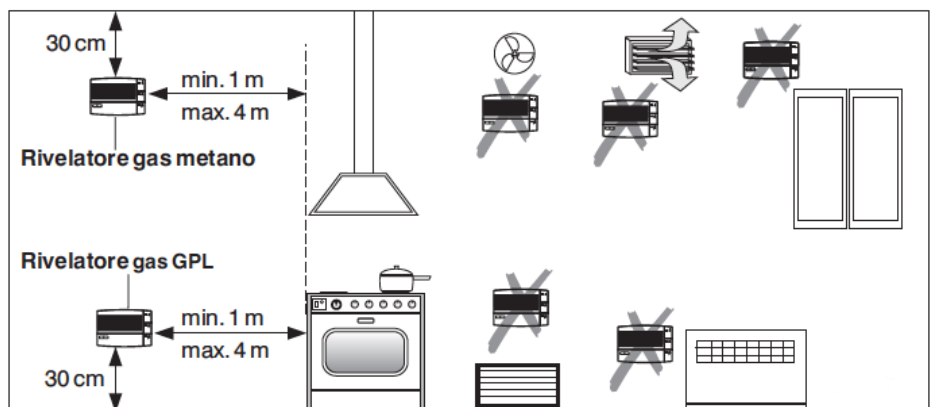
Code	Description	(W)	Packing
1DC ACPH13	Hair dryer for hotels	CE 1200	1
1DC ASE02N	Automatic hand dryer controlled by photocell	CE 1750	1
1DC DI009	Automatic sanitizing gel dispenser	CE 7.8	1



GAS SAFETY

WALL-MOUNTED MOTION DETECTORS

Code	Description	Packing
1GA 50917GPL/1.2	Wall-mounted LPG gas detector kit with 1/2" NO solenoid valve	CE 1
1GA 50917GPL/P	"ZEFIRO" series wall-mounted and / or Semi-recessed LPG gas detector with BUS output	CE 1





**British Standard
Sockets, Plugs & Switches**

"MK ESSENTIALS" White Series

Code	Description	Packing
MV2757WHI	1 Gang 13A Switched Socket Double Pole	10
MV2657WHI	1 Gang 13A Switched Socket Double Pole Neon	10
MV2747WHI	2 Gang 13A Switched Socket Double Pole	5
MV2647WHI	2 Gang 13A Switched Socket Double Pole neon	5
MV2893WHI	1 Gang 15A Switched Socket Single Pole	10
MV24345WHI	2 Gang 13A USB Switched Socket	5
MV701WHI	230 - 115 Volt Shaver Socket	1
MV8423WH- WHI	20A Double Pole Switch Neon	10
MV4866WHI	1 Gang 10AX Intermediate Switch	10
MV4861WHI	1 Gang 2 Way 10AX Switch	10
MV4862WHI	2 Gang 2 Way 10AX Switch	10
MV4863WHI	3 Gang 2 Way 10AX Switch	10
MV4867WHI	1 Gang 10AX Bell Switch	10
MV4864WHI	4 Gang 2 Way 10AX Switch 7x7	10
MV1535WHI	1 Gang 2 Way Dimmer 1000 Watt	10
MV5105WHI	1 Gang 32A Double Pole Switch Neon	10
MV417WHI	1 Gang RJ11	10
MV418WHI	2 Gang RJ11	10
MV428WHI	1 Gang Data RJ45	10
MV429WHI	2 Gang Data RJ45	10



**British Standard
Sockets, Plugs & Switches**



"ASP" Series

Code	Description	Packing
2346	1 Gang 13A Switched Socket Double Pole	10
2347	1 Gang 13A Switched Socket Double Pole Neon	10
2356	2 Gang 13A Switched Socket Double Pole	10
2357	2 Gang 13A Switched Socket Double Pole neon	10
2336	1 Gang 15A Switched Socket Single Pole	10
2360	2 Gang 13A USB Switched Socket (USB Output 5V & 1000mA)	10
2300	230 - 115 Volt Shaver Socket	5
1797	20A Double Pole Switch Neon	10
2710	1 Gang 10AX Intermediate Switch	10
2711	1 Gang 1 Way 10AX Switch	10
2712	1 Gang 2 Way 10AX Switch	10
2722	2 Gang 2 Way 10AX Switch	10
2732	3 Gang 2 Way 10AX Switch	10
2736	1 Gang 10AX Bell Switch	10
2742	4 Gang 2 Way 10AX Switch	10
2611/2X	1 Gang 2 Way Dimmer 1000 Watt	10
2757	1 Gang 45A Double Pole Switch (2 Gang Vertical Plate) Neon	5
2817	1 Gang RJ11	10
2818	2 Gang RJ11	10
1181	1 Gang Data Comms RJ45	10
2181	2 Gang Data Comms RJ45	10
2151	1 Gang Satellite Socket	10
PT13W	13A Plug Top White	20
PT13B	13A Plug Top Black	20
0042	15A Plug Top White	10
2346SR	1 Gang 13A Switched Socket Double Pole IP66	1
2356SR	2 Gang 13A Switched Socket Double Pole IP66	1



Metal Clad



"MATIX" System (WHITE & IVORY)



German Std. Socket



Multistandard Socket



Italian Std. Socket



US Std. Socket



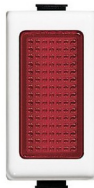
One Way Switch



Buzzer



Red Lampholder



Commutateur 1-0-2



Pushbutton Switch



Blank Insert



Motion Detector

Perry Koystone



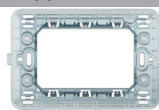
Touch-Emergency Light

Perry Koystone



Description	White	Ivory	Packing
16A Italian std. socket	AM5180	A5180	10
16A US std. socket	AM5025R	A5025R	10
16A German std. socket	AM5440/2	A5440/2	10
13A Universal socket	AM5039	A5039	10
Satalite socket	32190	-	10
RJ11 socket	23708	A5958/11N	10
RJ45 socket	23710	A5979C6	10
USB socket	82893	A5285C1	1
16A Onw way switch - double size	AM5001/2	A5001/2	10
16A One way switch	AM5001	A5001	10
16A Two way switch	AM5003	A5003	10
10A Pushbutton	AM5005	A5005	10
10A Pushbutton with plate	AM5008	A5008	10
16A Double pole switch	AM5011	A5011	10
16A Intermediate switch	AM5012	A5012	10
10A Shutter switch - automatic	AM5052	A5052	10
Buzzer 220V	AM5048	A5048	10
Universal dimmer	87895BI	-	1
Blank module	AM5000	A5000	10
7x7 Frame	AM4702		50
3 Modules frame	503SA		150
4 Modules frame	504SA		20
6 Modules frame	506SA		10
2 Modules cover	AM4802BBN	AM4802BAV	10
3 Modules cover	AM4803BBN	AM4803BAV	25
4 Modules cover	AM4804BBN	AM4804BAV	10
6 Modules cover	AM4806BBN	AM4806BAV	5
IP55 wall-mounting enclosure 1 module	25501		10
IP55 wall-mounting enclosure 2 modules	25502		10
IP55 wall-mounting enclosure 3 modules	25503		10
IP55 waterproof covers 2 modules	25602		10
IP55 waterproof covers 3 modules	25603		10
IP55 waterproof covers 4 modules	25604		10

Support Module



3 Module Cover IP55

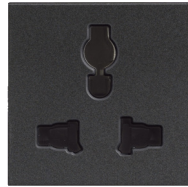


2 Module Box IP55



"CLASSIA" System (WHITE & BLACK) bticino

German Std. Socket Multistandard Socket



Italian Std. Socket USB Socket



One Way Switch 2M Buzzer



Boiler Switch Shutter Switch



Pushbutton Switch RJ45 Socket



LED Dimmer Pushbutton with cord



Description	White	Black	Packing
16A Italian std. socket	RW4180	RG4180	60
16A US std. socket	RW4125	RG4125	40
16A German std. socket	RW4141	RG4141	60
13A Universal socket	RW4139	RG4139	40
Satalite socket	RW4202F	RG42020F	10
RJ11 socket	RW4258RJ11	RG4258RJ11	10
RJ45 socket	RW4279C6	RG4279C6	10
USB socket	RW4287C7	RG4287C7	10
2P 16A Switch with neon	RW4002L	RG4002L	10
16A One way switch	RW4001	RG4001	60
16A Two way switch	RW4003	RG4003	60
10A Pushbutton	RW4005	RG4005	60
10A Pushbutton with neon	RW4005L	RG4005L	25
16A One way switch with neon	RW4001LP	RG4001LP	10
16A Intermediate switch	RW4004	RG4004	10
10A Shutter switch - mechanic	RW4037	RG4037	10
10A Shutter switch - automatic	RW4027	RG4027	10
16A Onw way switch - double size	RW4003M2	RG4003M2	20
10A Pushbutton with cord	RW4033	RG4033	100
Buzzer 220V	RW4351V230	RG4351V230	100
Universal dimmer	RW4411	RG441	100
Blank module	RW4950	RG4950	150
7x7 Frame		R4702	60
3 Modules frame		R4703	100
4 Modules frame		R4704	50
7 Modules frame		R4707	10
2 Modules (White) cover	RW	R4802RW	25
3 Modules (White) cover	RW	R4803RW	25
4 Modules (White) cover	RW	R4804RW	10
7 Modules (White) cover	RW	R4807RW	10
2 Modules (Cream) cover	CR	R4802CR	25
3 Modules (Cream) cover	CR	R4803CR	25
2 Modules (Moka) cover	MK	R4802MK	25
3 Modules (Moka) cover	MK	R4803MK	25
2 Modules (Black) cover	BC	R4802BC	25
3 Modules (Black) cover	BC	R4803BC	25
4 Modules (Black) cover	BC	R4804BC	10
7 Modules (Black) cover	BC	R4807BC	10
3 Modules (Cream Satin) cover	CS	R4803CS	25
3 Modules (White Satin) cover	WS	R4803WS	25
3 Modules (Black Satin) cover	BG	R4803BG	25
3 Modules (Blue Metal) cover	LM	R4803LM	25
3 Modules (Titanium Metal) cover	TM	R4803TM	25
IP55 wall-mounting enclosure 1 module		27501	10
IP55 wall-mounting enclosure 2 modules		27502	10
IP55 wall-mounting enclosure 3 modules		27503	10
IP55 wall-mounting enclosure 4 modules		27504	10
IP55 waterproof covers 2 modules		27602	10
IP55 waterproof covers 3 modules		27603	10
IP55 waterproof covers 4 modules		27604	10

Support Module



3 Module Cover IP55



"LIVING NOW" System (WHITE & BLACK) **bticino**



Description	White	Black	Packing
1-Way switch 10A, 1M	K4001		10
2-Way switch 10A, 1M	K4003		10
4-Way switch 10A, 1M	K4004		10
Pushbutton 10A, 1M	K4005		10
Universal dimer 2-wires, 2M	K4411		1
Shutter switch 10A 250V, 1M	K4027		10
USB type A charger 1500mA, 1M	K4285C1		1
Multistandard socket 13A, 2M	K4139		10
Sat coaxial socket, 1M	K4202F		10
Bell buzzer 230V, 1M	K4351V230		10
Sign LED lamp, white	K4743V230T		20
Sign LED lamp, blue	H4743/230B		20
Blank plate, 1M	K4950		100
3 Module support frame	K4703		10
4 Module support frame	K4704		10
6 Module support frame	K4706		10
2 Module support frame	K4702		10
Cover switch for (K4001/K4003/K4004/K4005)	KW01	KG01	20
Cover switch with sun sign for (K4001/K4003)	KW01A	KG01A	20
Cover switch with square sign for (K4001/K4003/K4004/K4005)	KW01X	KG01X	20
Cover pushbutton with bell sign for (K4005)	KW01D	KG01D	20
Cover switch with key sign for (K4001/K4003/K4004/K4005)	KW01F	KG01F	20
Cover switch with flame sign for (K4001/K4003)	KW01PN	KG01PN	20
Cover switch with fan sign for (K4001/K4003)	KW01RN	KG01RN	20
1-Way double pole switch 16A, 1M	KW4002	KG4002	10
Cover for (K4002/K4180)	KW02	KG02	10
Cover switch dimmer for (K4411)	KW19	KG19	10
Cover shutter switch for (K4027)	KW06	KG06	10
Italian std. socket 2P+E 16A	KW4180	KG4180	10
Cover USB charger type for (K4285C1)	KW10C	KG10C	10
German std. socket 2P+E 16A, 2M	KW4141	KG4141	10
Cover for German std. socket for (K4141)	KW04	KG04	10
US std. socket 2P 16A, 2M	KW4125	KG4125	10
Cover for US std. socket for (K4125)	KW51	KG51	10
Cover for multistandard socket for (K4139)	KW59	KG59	10
RJ45 Cat6 socket, 1M	KW4279C6	KG4279C6	10
RJ11 Socket, 1M	KW4258RJ11	KG4258RJ11	10
Cover RJ socket for (K4279C6/K4258RJ11)	KW07	KG07	10
Cover for coaxial socket for (K4202F)	KW08	KG08	10
Cover for bell for (K4351V230)	KW15	KG15	10
Cover blank plate for (K4950)	KW00	KG00	10
Pre-Connected HDMI connector, 1M		K4284P	1
Cover HDMI for (K4284P)	KW14	KG14	1
Removable and rechargeable LED touch, 2M		K4380	1

Cover Type	Color					
	White	Black	Steel-Zamak	Polymer	Wood	Pixel
2 Module	KA4802KW	KA4802KG	KA4802ZG	KA4802DG	KA4802LG	KA4802MW
3 Module	KA4803KW	KA4803KG	KA4803ZG	KA4803DG	KA4803LG	KA4803MW
4 Module	KA4804KW	KA4804KG	KA4804ZG	KA4804DG	KA4804LG	KA4804MW
6 Module	KA4806KW	KA4806KG	KA4806ZG	KA4806DG	KA4806LG	KA4806MW



"LIVING NOW" SMART System **bticino**



Description	White	Black	Packing
Connected 2-Way switch, 250W, 1M	K4003C		1
Connected shutter switch, 1M	K4027C		1
Connected Universal dimer, 150W, 1M	K4411C		1
Gateway for remote home control (lights, sockets and shutters), 2M	K4500C		1
Wireless In&Out scenario control	K4570CW		1
Wireless Wake Up & Sleep scenario control	K4574CW		1
Wireless switch for shutters	K4027CW		1
Connected module for socket 16A, 1M	K4531C		1
DIN meter, to measure the energy consumption of the entire single-phase	F20T60A		1
DIN smart relay for light control max 16A, max 10 contacts	FC80RC		1
Smart DIN contactor for controlling single-phase loads less than 20A	FC80CC		1
Lightable cover switch for (K4003C)	KW01	KG01	1
Lightable cover switch dimmer for (K4411C)	KW33	KG33	1
Lightable cover shutter switch for (K4027C)	KW32	KG32	1
Cover for gateway, 2M	KW30M2	KG30M2	1
Cover for master scenario switch, 2M	KW40M2	KG40M2	1
Lightable cover "Night&Day" symbol for wireless scenario control	KW41M2	KG41M2	1
Lightable cover for wireless shutter control (K4027CW)	KW43M2	KG43M2	1
Lightable cover for K4531C	KW31	KG31	1
Smart connected thermostat	XW8002	XG8002	1



CABLE JOINTS

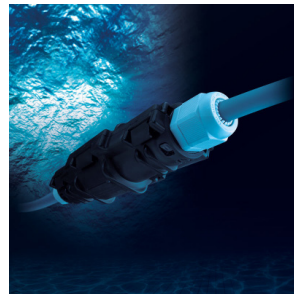


Little Joints

Code	Description	Joint Size	IP	Packing
GEL BOX 0	Pre-filled small joint without terminal	○ 41 x 28 x 19	68	48
HAPPY JOINT 3	Pre-filled small joint with 1 terminal 3x4mm	○ 41 x 28 x 19	68	48
HAPPY JOINT 4	Pre-filled small joint with 2 terminal 2x4mm	○ 45 x 37 x 24	68	24
HAPPY JOINT 6	Pre-filled small joint with 3 terminal 2x4mm	○ 53 x 39 x 24	68	12
BARNEY	Pre-filled joint cable for 2x2.5mm	● 75 x 28 x 19	68	12
FRED	Pre-filled joint cable for 3x2.5mm	● 80 x 36 x 23	68	12
FRED-Y	Pre-filled joint cable for Two 3x2.5mm	● 110 x 72 x 25	68	10
RAPIDINOL2	Pre-filled joint cable for 2x2.5mm	● 75 x 28 x 19	68	3
RAPIDINOL3	Pre-filled joint cable for 3x2.5mm	● 80 x 36 x 23	68	3
TOM	Pre-filled joint cable for 5x16mm	● 180 x 53 x 42	68	5

Standard Joints

Code	Description	Joint Size	IP	Packing
RAPID JL6-IP68	Pre-filled Joint for cable up to 5x6mm	● 180 x 60	68	1
RAPID JL10-IP68	Pre-filled Joint for cable up to 5x10mm	● 210 x 65	68	1
RAY KJOINT 0	Pre-filled Joint for cable up to 5x6mm ARM	● 105 x 55 x 55	68	5
RAY KJOINT L10 ARM	Pre-filled Joint for cable up to 5x10mm ARM	● 180 x 60 x 60	68	1
RAY KJOINT L25 ARM	Pre-filled Joint for cable up to 5x25mm ARM	● 210 x 65 x 65	68	1
RAPID JOINT L10 ARM	Pre-filled Joint for cable up to 4x10mm ARM	● 180 x 60	68	1
RAPID JOINT L25 ARM	Pre-filled Joint for cable up to 4x25mm ARM	● 210 x 65	68	1
RAPID JOINT L95 ARM	Pre-filled Joint for cable up to 4x70mm ARM	● 320 x 100	68	1



FILLERS

GEL Fillers

Code	Description	Size	IP	Packing
Magic Gel 300	Bicomponent gel with very high dielectric and thermal characteristics, ideal for connection systems (joint shells or enclosures) for power cables	● 300	68	12
Magic Sprint 450	For POWER CABLES, TELECOM CABLES and ELECTRONIC CIRCUITS.	● 450	68	12
Magic Sprint 900	For POWER CABLES, TELECOM CABLES and ELECTRONIC CIRCUITS.	● 900	68	12
Wonder-F280	Single component insulation fluid gel cartridge for electrical joints	● 280	68	12
Sky Plast 250	Bicomponent rubber in insulating, mouldable, selfextinguishing paste with high dielectric characteristics	● 250	68	1

Rapidinol2
Rapidinol3

Happy Joint

Barney

Fred

Rapid Joint

MAGIC SPRINT

MAGIC GEL

SKY PLAST

WONDER-F280

HEATING PRODUCTS



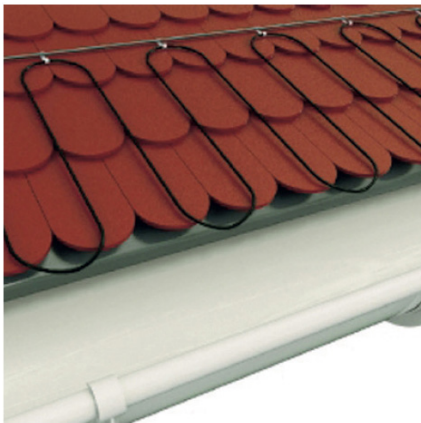
Anti-Freeze Piping



Anti-Freeze Ramps



Anti-Freeze Gutters



Rear Mirror



Domestic Use

Code	Description	Power	Volt	Length
Stop Ice Plus 5	Anti-Freeze for piping: constant power anti-freeze kit complete with thermostat, connection plug and insulation tape	60w / Kit	230V	5 mtr.
Easy Ramp 4/300	Anti-Freeze for ramps: easy ramp constant wattage heating mat	670w	230V	W: 0.6 L: 4.0
Easy Frost 50/20	Anti-Freeze for gutters: constant power heating cable for roofs, gutters and downpipes	1000w	230V	50 mtr.

Comfort Life - For Floor

Code	Description	Power	Volt	Length
Easy Floor 3-ST	Heating mat for the intelligent tracing of tile, marble, floors, etc.	225w	230V	W: 0.5 L: 3.0
Easy Floor 4-ST		300w	230V	W: 0.5 L: 4.0
Easy Wood 8	Heating mat for the intelligent tracing of wood or laminate floors.	80w	230V	W: 0.6 L: 8.4
RID Room Thermostat	Raytech Intelligent Display	5w	230V	-

Floor Heating

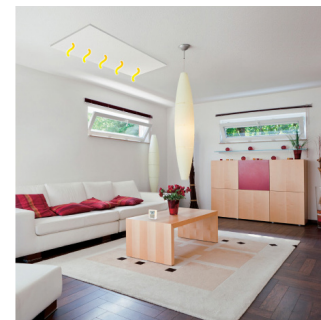


Comfort Life - Rear Mirror

Code	Description	Power	Volt	Length
Easy Mirror 35	Self-adhesive heating sheet for mirror, ideal for bathrooms, saunas, kitchens, hotels, gyms and sports facilities	50w	230V	Ø 35
Easy Mirror 36/50		50w	230V	36x50

Comfort Life - For Ceilings

Code	Description	Power	Volt	Length
Warm UP 1	Ceiling heating panels	300w	230V	59x59
Warm UP 2		600w	230V	119 x 59



Insulating Tape

- First product in Turkey
- Quality proven insulating tape
- In stock for fast delivery



SPECIFICATIONS

- PVC rubber - based is produced the glossy surface of with adhesive, coating
- High adhesion strength
- 100% isolation
- For use electrical installations, automotive industrial, electronic.



TECHNICAL SPECIFICATION	TURA	TEST PATTERN
Thickness	0,013 +/-1	PSTL-33
Tensile Strength	4,7 Kg / 25 mm	PSTL-31
Elongation	% 150	PSTL-31
Adhesion	0,34 / 19 mm	D1000
Withstand Voltage	4500 Volt	ASTM D1000
Dimensions	0.13 x 19 mm x 9.1 mt 0.15 x 30 mm x 25 mt 0.15 x 50 mm x 25 mt	

Code	Colour	Packing
ETB-SI	Black	500
ETB-KI	Red	500
ETB-SA	Yellow	500
ETB-GR	Grey	500
ETB-YE	Green	500
ETB-BE	White	500
ETB-SY	Earth	500
ETB-MA	Blue	500
ETB-KR	Mix	500



Cables - Pulling System

NYLON Fish Tape

CODE	Ø (mm)	COLOUR	LENGTH (meter)	TERMINALS	Packing
14204010	4	NYLON	10	Fixed	30
14204015			15	Fixed	30
14204020			20	Fixed	25
14204025			25	Fixed	20
14204030			30	Fixed	20

POLYESTER Fish Tape

CODE	Ø (mm)	COLOUR	LENGTH (meter)	TERMINALS	Packing
70450020	4.5	POLYESTER	20	Interchangeable	20
70450030			30	Interchangeable	15
74450050			50	Fixed	10
70600050			50	Interchangeable	5







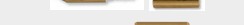





FIBERGLASS Fish Tape

CODE	Ø (mm)	COLOUR	LENGTH (meter)	TERMINALS	Packing
30300015	3	FIBERGLASS	15	Interchangeable	20
30300020	3		20	Interchangeable	15
30300030	3		30	Interchangeable	15
30600060	6		60	Interchangeable	1
30600100	6		100	Interchangeable	1
30900150	9		150	Interchangeable	1
30110200	11		200	Interchangeable	1
30110250	11		250	Interchangeable	1
30110300	11		300	Interchangeable	1

Fish Tape Lubricants

CODE	Description	Size (liter)	COLOUR	Packing
46036000	DUPLOGEL introducer FOR THE INSTALLATION OF NEW CABLES It facilitates the insertion of the cables in trunked installations	0.800	Blue	15

Fish Tape Accessories

CODE	Description	Picture	Packing
41001000	Standard Flexible Head 6mm M5		10
41001002	Wide Flexible Head 6mm M5		5
41005000	Flexible pulling head 6mm M5		5
46004000	Fixed Brass Coupling Link 6mm M5		10
48000015	Brass screw terminal for Ø3.0mm fibre Ø6 mm, M5		10
48015000	Ø3,0 mm Fibre Terminal Repair Kit Ø6 mm		5
48006001	Simple Join Kit for Ø3 mm Fibre Ø6 mm		5
43001000	Eyelet standard 6mm M5		10
43001001	Eyelet standard 10mm M5		5
43001002	Eyelet standard RING M5		5
48000007	Terminal Rosca Laton Ø7 - M8		10
48000008	Terminal Rosca Laton Ø8 - M8		10



2023
2024



Al-Ahdab Co. Electric & Trading

www.alahdabco.com

COURBI

Electrical Material Industry





Domestic Boxes

Switch Boxes

Code	Description	Dimensions	Color	Packing
08-21024-003	3 Gang Wall Box made of special hard polymer material	94x58x50	Blue	100
08-21025-004	4 Gang Wall Box made of special hard polymer material	94x58x50	Blue	100
08-21026-006	6 Gang Wall Box made of special hard polymer material	171x58x50	Blue	50

Switch Boxes

Code	Description	Color	Packing
08-21046-003	Cavity Wall Mounting Boxes 3 Gang	Yellow	50
08-21046-004	Cavity Wall Mounting Boxes 4 Gang	Yellow	50
08-21046-006	Cavity Wall Mounting Boxes 6 Gang	Yellow	50

ROUND JUNCTION BOXES

Code	Description	Dimensions	Color	Packing
08-21001-001	Indoor residential and industrial small box	Ø 72x30	Orange & White	100
08-21002-100	Indoor residential and industrial big box	Ø 100x35	Orange & White	50

FLOOR Cable Trunking

Code	Description	U.M.	Length (mtr.)	Color	Packing
24-07520-004	75x20mm Floor Trunk	PCS	2	Gray	12
24-07520-005	75x20mm Floor Trunk	PCS	2	White	12
24-20040-501	75x20mm Floor Trunk	PCS	2	Gray	25
24-20046-702	75x20mm Floor Trunk	PCS	2	Beech	12
24-20044-702	75x20mm Floor Trunk	PCS	2	Oak	12
24-20045-702	75x20mm Floor Trunk	PCS	2	Mahon	12

Earthing Manholes

Code	Description	U.M.	Color	Packing
08-20001-200	PVC Manhole 200x200mm	PCS	Gray	1
08-20002-300	PVC Manhole 300x300mm	PCS	Gray	1
08-20003-400	PVC Manhole 400x400mm	PCS	Gray	1
08-20004-550	PVC Manhole 500x550mm	PCS	Gray	1

Flexible Conduits

COMBO Spiral Light Type 320N

Code	Type	Dimensions		Color	U.M.	Length	Packing
		EXT Ø mm	INT Ø mm				
31-21025-016	16	16	11.5	White	Mt.	50	50
31-21026-020	20	20	15.3	White	Mt.	50	50
31-21027-025	25	25	19.2	White	Mt.	50	50
31-21028-032	32	32	25.4	White	Mt.	50	50
31-21029-040	40	40	31.2	White	Mt.	25	25
31-21030-050	50	50	39.6	White	Mt.	25	25





WaterProof Junction Boxes



IP54 Junction Boxes

Code	Description	Dimensions	Color	Packing
32-21001-653	Round junction box with 4 holes and press cover	65x35	Grey	60
32-21002-804	Round junction box with 4 holes and press cover	80x40	Grey	60
32-21021-804	Round junction box with 4 holes and press cover	80x40	White	60
32-20060-904	Mini junction box with 10 holes and press cover IP55	90x43x37	Grey	64
32-21003-656	Square junction box with 4 holes and press cover	65x65x40	Grey	60
32-21004-808	Square junction box with 4 holes and press cover	80x80x40	Grey	60
32-21009-100	Square junction box with 6 holes and plastic screws	100x100x50	Grey	60
32-21007-100	Square junction box with ** holes and plastic screws	150x110x70	Grey	24
32-21008-190	Square junction box with ** holes and plastic screws	190x140x70	Grey	24

IP65 Junction Boxes

Code	Description	Dimensions	Color	Packing
32-21045-100	Square junction box with 6 holes and plastic screws	100x100x50	Grey	60
32-21043-150	Square junction box with ** holes and plastic screws	150x110x70	Grey	24
32-21030-190	Square junction box with ** holes and plastic screws	190x140x70	Grey	24
32-21031-245	Square junction box without holes and plastic screws	245x190x90	Grey	16
32-21032-300	Square junction box without holes and plastic screws	300x215x125	Grey	6
32-21033-380	Square junction box without holes and plastic screws	380x300x125	Grey	4

Industrial UPVC Flexible Conduits

Code	Type	Dimensions		Color	U.M.	Length	Packing Roll
		EXT Ø mm	INT Ø mm				
16-21012-012	12	16	12	Gray	Mtr.	30	1
16-21014-016	16	20	16.2	Gray	Mtr.	30	1
16-21016-020	20	22.5	20.2	Gray	Mtr.	30	1
16-21070-025	25	28.1	25.2	Gray	Mtr.	30	1
16-21070-032	32	37	32	Gray	Mtr.	30	1
16-21021-038	38	44.5	38.2	Gray	Mtr.	30	1
16-21071-040	40	47	40	Gray	Mtr.	30	1
16-21022-050	50	55.5	50	Gray	Mtr.	30	1
16-21023-062	62	69	62.3	Gray	Mtr.	30	1

U-CLIPS

Code	Description	U.M.	Color	Packing
34-21002-020	U-Clips for flexible conduits 20mm	PCS	Gray	100
34-21003-025	U-Clips for flexible conduits 25mm	PCS	Gray	100
34-21004-032	U-Clips for flexible conduits 32mm	PCS	Gray	100
34-21005-040	U-Clips for flexible conduits 40mm	PCS	Gray	50
34-21006-050	U-Clips for flexible conduits 50mm	PCS	Gray	50

Glands For UPVC Conduits

Code	Description	U.M.	Color	Packing
33-20008-012	Gland for conduits 12mm	PCS	Gray	100
33-20009-016	Gland for conduits 16mm	PCS	Gray	100
33-20010-020	Gland for conduits 20mm	PCS	Gray	100
33-20011-025	Gland for conduits 25mm	PCS	Gray	50
33-20012-032	Gland for conduits 32mm	PCS	Gray	50



Circuit Breakers

"MCB" Domae Series

Code	Poles	Amp	kA	Packing	
12912	1	10	3kA	12	
12913		16			
12914		20			
12915		25			
12916		32			
12917		40			
12593		50			
12594	63				
12992	2	10		3kA	6
12993		16			
12994		20			
12995		25			
12996		32			
12989		40			
12595		50			
12596	63				
12779	3	10	3kA		4
12780		16			
12781		20			
12782		25			
12783		32			
12769		40			
12597		50			
12598	63				
12585	4	10		3kA	3
12586		16			
12587		20			
12588		25			
12589		32			
12590		40			
12591		50			
12592	63				

"RCCB" Domae Series

Code	Poles	Amp	mA	Packing
16790	2	25	30 mA	6
16793		40		
16791		63		
16792		25	300 mA	
16795		40		
16798		63		
16807	4	25	30 mA	1
16810		40		
16794		63		
16833		25	300 mA	
16812		40		
16796		63		



Circuit Breakers

"MCB" iK60 Series

Code	Poles	Amp	kA	Packing
A9K24106	1	6	6kA	12
A9K24110		10		
A9K24116		16		
A9K24120		20		
A9K24125		25		
A9K24132		32		
A9K24140		40		
A9K24150		50		
A9K24163		63		
A9K24206		2		
A9K24210	10			
A9K24216	16			
A9K24220	20			
A9K24220	25			
A9K24232	32			
A9K24240	40			
A9K24250	50			
A9K24263	63			
A9K24306	3		6	6kA
A9K24310		10		
A9K24316		16		
A9K24320		20		
A9K24325		25		
A9K24332		32		
A9K24340		40		
A9K24350		50		
A9K24363		63		
A9K24406		4	6	
A9K24410	10			
A9K24416	16			
A9K24420	20			
A9K24425	25			
A9K24432	32			
A9K24440	40			
A9K24450	50			
A9K24463	63			

"RCCB" Acti9 Series

Code	Poles	Amp	mA	Packing	
	2	25	30 mA	6	
		40			
A9R41263		63			
A9R11280		80			
A9R11291		100			
		25			
		40			
A9R44263		63			300 mA
A9R14280		80			
A9R14291		100			
	4	25	30 mA	1	
		40			
A9R41463		63			
A9R11480		80			
A9R11491		100			
		25			
		40			
A9R44463		63			300 mA
A9R14480		80			
A9R14491		100			



Circuit Breakers

Fixed "MCCB" EasyPact Series



Code	Poles	Amp	kA	Packing	
EZC100N1015		15			
EZC100N1020		20			
EZC100N1025		25			
EZC100N1030		30			
EZC100N1040	1	40		1	
EZC100N1050		50			
EZC100N1060		60			
EZC100N1080		80			
EZC100N1100		100			
EZC100N3015		15	Fixed 18kA		
EZC100N3020		20			
EZC100N3025		25			
EZC100N3030	3	30			1
EZC100N3040		40			
EZC100N3050		50			
EZC100N3060		60			
EZC100N3080		80			
EZC100N3100		100			
EZC100N4050		50			
EZC100N4060	4	60		1	
EZC100N4075		75			
EZC100N4080		80			
EZC100N4100		100			

Code	Poles	Amp	kA	Packing
EZC250N3125		125		
EZC250N3150		150		
EZC250N3160		160		
EZC250N3175	3	175		1
EZC250N3200		200		
EZC250N3225		225		
EZC250N3250		250	Fixed 25kA	
EZC250N4063		63		
EZC250N4080		80		
EZC250N4100		100		
EZC250N4125	4	125		
EZC250N4150		150		
EZC250N4160		160		
EZC250N4175		175		
EZC250N4200		200		
EZC250N4225		225		
EZC250N4250		250		

Code	Poles	Amp	kA	Packing
EZC400N3320N		320	Fixed	1
EZC400N3350N	3	350		
EZC400N3400N		400		
EZC400N4320N	4	320	36kA	1
EZC400N4350N		350		

Circuit Breakers

Adjustable "MCCB" LV EasyPact Series

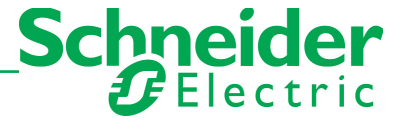


Code	Poles	Amp	kA	Packing
LV429557		11-16		
LV429556		18-25		
LV429555		23-32		
LV429554		28-40		
LV429553		35-50		
LV429552		44-63	25kA	
LV429551		56-80		
LV429550		70-100		
LV430311		88-125		
LV430310		112-160		
LV431111		140-200		
LV431110		175-250		
LV429637	3	11-16		
LV429636		18-25		
LV429635		22-32		
LV429634		28-40		
LV429633		35-50		
LV429632		44-63		
LV429631		56-80	36kA	1
LV429630		70-100		
LV430631		88-125		
LV430630		112-160		
LV431631		140-200		
LV431630		175-250		
LV432676		160-400		
LV432876		250-630		
LV429655		23-32		
LV429654		28-40		
LV429653		35-50	36kA	
LV429652		44-63		
LV429651		56-80		
LV429650	4	70-100		
LV430651		88-125		
LV430650		112-160		
LV431650		175-250		
LV432694		160-400	50kA	
LV432894		250-630		

Compact "MCCB" NS

Code	Poles	Amp	kA	Packing	
33466		800			
33472		1000	50kA		
33478		1250			
33482		1600			
33467	3	800			
33473		1000	70kA		
33479		1250			
33483		1600			
33469		800		1	
33475		1000	50kA		
33480	1250				
33484	1600				
33470	4	800	70kA		
33476		1000			
33481		1250			
33485		1600			

Contactors & Overloads



Contactors

Code	AC-3 (AMP)	AC-1 (AMP)	kW	Packing
LC1D09**	9	25	4	1
LC1D12**	12	25	5.5	
LC1D18**	18	32	7.5	
LC1D25**	25	40	11	
LC1D32**	32	50	15	
LC1D38**	38	50	18.5	
LC1D40**	40	60	18.5	
LC1D50**	50	80	22	
LC1D65**	65	80	30	
LC1D80**	80	125	37	
LC1D95**	95	125	45	
LC1D115**	115	200	55	
LC1D150**	150	250	75	
LC1F185**	185	275	90	
LC1F225**	225	315	110	
LC1F265**	265	350	132	
LC1F330**	330	400	160	
LC1F400**	400	500	200	
LC1F500**	500	700	250	
LC1F630**	630	1000	335	

**

AC Volt	24	48	110	220	380
Code	B7	E7	F7	M7	Q7

DC Volt	24	72	110	220
Code	BD	SD	FD	MD

Enclosed DOL Starter (Contactors without Overload Relays)

Code	Power Ratings	Rated Current	IP	Packing
	AC-3 (kW)	(Amp)		
LE1D09**	4	9	IP65	1
LE1D12**	5.5	12	IP65	
LE1D18**	7.5	18	IP65	
LE1D25**	11	25	IP65	

**

AC Volt	220	380
Code	M7	Q7

Contactors Accessories

Code	Composition	Type	Delay Range	Packing
LADN10	1 NO	Front	/	1
LADN01	1 NC	Front	/	
LADN11	1 NO + 1 NC	Front	/	
LADN20	2 NO	Front	/	
LADN02	2 NC	Front	/	
LADN22	2 NO + 2 NC	Front	/	
LADN13	1 NO + 3 NC	Front	/	
LADN40	4 NO	Front	/	
LADN04	4 NC	Front	/	
LADN31	3 NO + 1 NC	Front	/	
LADT0	1 NO + 1 NC	On-Delay	0.1-3 s	
LADT2	1 NO + 1 NC	On-Delay	0.1-30 s	
LADT4	1 NO + 1 NC	On-Delay	10-180 s	
LADS2	1 NO + 1 NC	On-Delay	1-30 s	
LADR0	1 NO + 1 NC	Off-Delay	0.1-3 s	
LADR2	1 NO + 1 NC	Off-Delay	0.1-30 s	
LADR4	1 NO + 1 NC	Off-Delay	180-10 s	



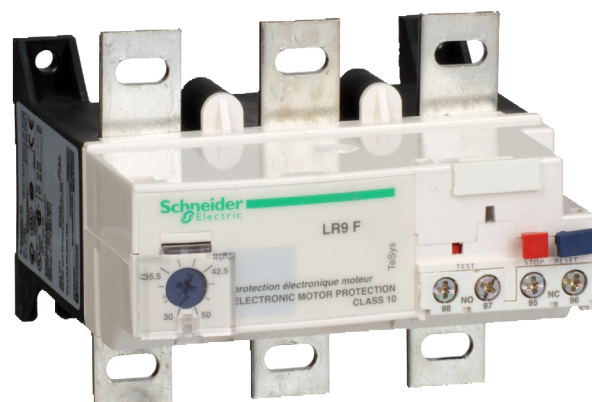
Contactors & Overloads



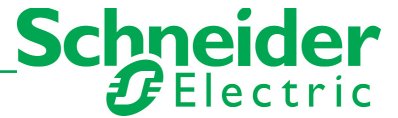
Overload Relays

Code	Relay setting (Amp)	Contactors Type	Packing
LRD01	0.10-0.16	D09-D38	
LRD02	0.16-0.25	D09-D38	
LRD03	0.25-0.40	D09-D38	
LRD04	0.40-0.63	D09-D38	
LRD05	0.63-1	D09-D38	
LRD06	1-1.6	D09-D38	
LRD07	1.6-2.5	D09-D38	
LRD08	2.5-4	D09-D38	
LRD10	4-6	D09-D38	
LRD12	5.5-8	D09-D38	
LRD14	7-10	D09-D38	
LRD16	9-13	D12-D38	
LRD21	12-18	D18-D32	
LRD22	16-24	D25-D38	
LRD32	23-32	D25-D38	
LRD35	30-38	D32 and D38	
LRD313	9-13	D40A-D65A	
LRD318	12-18	D40A-D65A	
LRD325	17-25	D40A-D65A	
LRD332	23-32	D40A-D65A	
LRD340	30-40	D40A-D65A	
LRD350	37-50	D40A-D65A	
LRD365	48-65	D50A and D65A	
LRD3361	55-70	D80 and D95	
LRD3363	63-80	D80 and D95	
LRD3365	80-104	D80 and D95	
LRD4365	80-104	D115 and D150	
LRD4367	95-120	D115 and D150	
LRD4369	110-140	D150	
LRD33676	95-120	Free mounting	
LRD33696	110-140	Free mounting	
LR9D5367	60-100	D11-D150 (Class 10)	
LR9D5369	90-150	D11-D150 (Class 10)	
LR9D5567	60-100	D115-D150 (Class 20)	
LR9D5569	90-150	D115-D150 (Class 20)	
LR9F5357	30-50	F115-F185	
LR9F5363	48-80	F115-F185	
LR9F5367	60-100	F115-F185	
LR9F5369	90-150	F115-F185	
LR9F5371	132-220	F225-F265	
LR9F7375	200-330	F225-F500	
LR9F7379	300-500	F225-F500	
LR9F7381	380-630	F400-F630	

1



Contactors & Overloads



Therman Magnatic Circuit Breaker



Code	Power Rating AC-3 (kW)	Setting Range of Thermal Trip (Amp)	Breaking Capacity (KA)	Packing
GV2ME03	0.09	0.25-0.40	100	1
GV2ME04	0.12	0.40-0.63	100	
GV2ME05	0.25	0.63-1	100	
GV2ME06	0.37	1-1.6	100	
GV2ME07	0.75	1.6-2.5	100	
GV2ME08	1.1	2.5-4	100	
GV2ME10	2.2	4-6.3	100	
GV2ME14	3	6-10	100	
GV2ME16	5.5	9-14	15	
GV2ME20	7.5	13-18	15	
GV2ME21	9	17-23	15	
GV2ME22	11	20-25	15	
GV2ME32	15	24-32	10	

Therma Magnatic Circuit Breaker (With Rotary Handle)



Code	Power Rating AC-3 (kW)	Setting Range of Thermal Trip (Amp)	Breaking Capacity (KA)	Packing
GV2P01	< 0.06	0.1-0.16	100	1
GV2P02	0.06	0.16-0.25	100	
GV2P03	0.09	0.25-0.40	100	
GV2P04	0.12	0.40-0.63	100	
GV2P05	0.25	0.63-1	100	
GV2P06	0.37	1-1.6	100	
GV2P07	0.75	1.6-2.5	100	
GV2P08	1.1	2.5-4	100	
GV2P10	2.2	4-6.3	100	
GV2P14	3	6-10	100	
GV2P16	5.5	9-14	50	
GV2P20	7.5	13-18	50	
GV2P21	9	17-23	50	
GV2P22	11	20-25	50	
GV2P32	15	24-32	50	

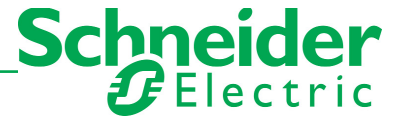
Enclosures for GM2ME



Code	IP	Type	Packing
GV2MC01	IP41	Surface mounted double insulated	1
GV2MC02	IP55	Surface mounted sealed	



Distribution Boards



MCB DB

Code	Number of Ways	Rated Current	Rated Voltage	Network number of phases	Packing
DSP1ROW8	8	100A	220 V AC 50/60 Hz	1	1
DSP1ROW10	10	100A	220 V AC 50/60 Hz		
DSP1ROW14	14	100A	220 V AC 50/60 Hz		
DSP1ROW16	16	100A	220 V AC 50/60 Hz		
DXB312XI100	(3X4) 12	125A	220/400 V AC 50/60 Hz	3	
DXB318XI100	(3X6) 18	125A			
DXB324XI100	(3X8) 24	125A			
DXB330XI100	(3X10) 30	125A			
DXB336XI100	(3X12) 36	125A			
DXB342XI100	(3X14) 42	125A			
DXB348XI100	(3X16) 48	125A			

MCCB DB

Code	Number of Ways	Main Breaker TYPE	Rated Voltage	Packing	
DBX312XEZ100	(3X4) 12	EZC100	220/400 V AC 50/60 Hz	1	
DBX318XEZ100	(3X6) 18				
DBX324XEZ100	(3X8) 24				
DBX330XEZ100	(3X10) 30				
DBX336XEZ100	(3X12) 36				
DBX342XEZ100	(3X14) 42				
DBX348XEZ100	(3X16) 48				
DBX324XEZ250	(3X8) 24				EZC250
DBX330XEZ250	(3X10) 30				
DBX336XEZ250	(3X12) 36				
DBX342XEZ250	(3X14) 42				
DBX348XEZ250	(3X16) 48				
DBX354XEZ250	(3X18) 54				

RCCB DB

Code	Number of Ways	Main Breaker TYPE	Rated Voltage	Packing
DBX312XR3125	(3X4) 12	RCCB 4-POLES	220/400 V AC 50/60 Hz	1
DBX318XR3125	(3X6) 18			
DBX324XR3125	(3X8) 24			
DBX330XR3125	(3X10) 30			
DBX336XR3125	(3X12) 36			

Relays

Relays

Code	Contact	Amp /Contact	Voltage	Packing
RUMC2AB1B7	2		24V AC	
RUMC2AB1E7	2		48V AC	
RUMC2AB1F7	2		110V AC	
RUMC2AB1P7	2		230V AC	
RUMC2AB1BD	2		24V DC	
RUMC2AB1ED	2		48V DC	
RUMC2AB1JD	2		12V DC	
RUMC3AB1B7	3		24V AC	
RUMC3AB1E7	3		48V AC	
RUMC3AB1F7	3		110V AC	
RUMC3AB1P7	3		230V AC	
RUMC3AB1BD	3		24V DC	
RUMC3AB1ED	3		48V DC	
RUMC3AB2FD	3		110V DC with LED	
RUMC3AB1JD	3		12V DC	
RXM2AB1B7	2	12A	24V AC	
RXM2AB1F7	2	12A	110V AC	
RXM2AB1P7	2	12A	230V AC	
RXM2AB1BD	2	12A	24V DC	
RXM2AB1JD	2	12A	12V DC	
RXM4AB1B7	4	6A	24V AC	
RXM4AB1F7	4	6A	120V AC	
RXM4AB1P7	4	6A	230V AC	
RXM4AB1BD	4	6A	24V DC	
RXM4AB1JD	4	6A	12V DC	
RSB2A080P7	2	8A	230V AC	
RSB2A080BD	2	8A	24V DC	
RSB2A080B7	2	8A	24V AC	
RSB2A080JD	2	8A	12V DC	
RSB2A080ND	2	8A	60V DC	

RUZC2M	Relay Socket (8-pin) for RUMC2
RUZC3M	Relay Socket (11-pin) for RUMC3
RXE2M114M	Relay Connector (14-pin) for RXM2+RXM4
RSZE1S48M	Relay Connector (8-pin) for SLIM Relay



10

Control & Accessories

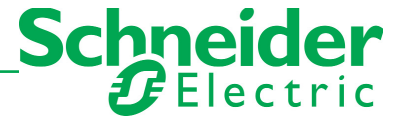


Harmony Ø22 Control & Signaling Units

Code	Contact	Colour / Position	Supply Voltage	Packing
Metal Pushbuttons with Spring Return IP67				
XB4BA21	NO	Black	● /	1
XB4BA31	NO	Green	● /	
XB4BA51	NO	Yellow	● /	
XB4BA61	NO	Blue	● /	
XB4BA42	NC	Red	● /	
Metal Illuminated Pushbuttons with Spring Return IP67				
XB4BW33B5	1 NO + 1 NC	Green	● 24V AC/DC	1
XB4BW34B5	1 NO + 1 NC	Yellow	● 24V AC/DC	
XB4BW35B5	1 NO + 1 NC	Red	● 24V AC/DC	
XB4BW33M5	1 NO + 1 NC	Green	● 220-240 AC	
XB4BW34M5	1 NO + 1 NC	Yellow	● 220-240 AC	
XB4BW35M5	1 NO + 1 NC	Red	● 220-240 AC	
Metal Double Headed Spring Return Pushbuttons				
XB4BL73415	NO + NC		/	1
XB4BW73731M5	(LED) NO + NC	Red & Green	220V AC	
XB4BW73731G5	(LED) NO + NC		110V AC	
XB4BW73731B5	(LED) NO + NC		24V AC/DC	
Metal Selector Switch IP67				
XB4BD21	NO/standard handle	2 position	/	1
XB4BD25	NO+NO/standard		/	
XB4BD33	handle	3 position	/	
XB4BD53			/	
Metal Illuminated Selector Switch with LED IP67				
XB4BK123B5		Green	●	1
XB4BK133B5		Red	● 24V AC/DC	
XB4BK125B5	3 Position,	Yellow	●	
XB4BK123M5	NO+NO/standard	Green	●	
XB4BK124M5	han	Red	● 230-240V AC	
XB4BK125M5		Yellow	●	
Metal Selector Switch with KEY IP67				
XB4BG21	NO/Left hand position	2 position	/	1
XB4BG33	NO+NO/Center Position	3 position stay put	/	
Metal Mashroom Head Emergency Stop Pushbuttons IP67				
XB4BS8442	NC (Turn To Release)	Red	● /	1
XB4BS9442	NC (Key Release)	Red	● /	
Pilot Light with Intergral LED IP65				
XB7EV03BP	/	Green	● 24V	10
XB7EV04BP	/	Red	●	
XB7EV05BP	/	Yellow	●	
XB7EV03MP	/	Green	● 230V	
XB7EV04MP	/	Red	●	
XB7EV05MP	/	Yellow	●	
XB7EV06MP	/	Blue	●	
XB7EV07MP	/	Clear	○	
Plastic Selector Switch IP65				
XB7ND21	NO	Black	● /	10
XB7ND25	NO + NC	2 Position	/	
XB7ND33	NO + NO	3 Position	● /	
Plastic Spring Return Pushbuttons Flush IP65				
XA2EA31	NO	Green	● /	10
XA2EA42	NC	Red	● /	
Plastic Latching Pushbuttons Flush IP65				
XA2EH031	NO	Green	● /	10
XA2EH042	NC	Red	● /	



Control & Accessories



Harmony Ø22 Control & Signaling Units

Code	Contact	Colour / Position	Supply Voltage	Packing	
Plastic Illuminated Flush Pushbuttons with Integral LED IP54					
XA2EA3311		Green	● /	1	
XA2EA3351	NO	Black	● /		
XA2EA3341		White	○ /		
XA2EA4322		Red	● /		
XA2EA4342	NC	STOP Red	● /		
Plastic Pilot Lights with Integrated LED IP40 (Dia. 22mm)					
XA2EVB3LC	/	Green	● 24V DC/AC		10
XA2EVB4LC	/	Red	● 24V DC/AC		
XA2EVF3LC	/	Green	● 110V AC		
XA2EVF4LC	/	Red	● 110V AC		
XA2EVM3LC	/	Green	● 220-230V AC		
XA2EVM4LC	/	Red	● 220-230V AC		
Pendant Control Station For Control of Single Speed Motors IP65					
XACA271	1 N/O	2 WAY	/	1	
XACA2713	1 N/O + 1 N/C	2 WAY + STOP	/		
XACA471	1 N/O	4 WAY	/		
XACA671	1 N/O	6 WAY	/		
XACA871	7 N/O + 1 N/C	6 WAY + START + STOP	/		

"Zelio" Phase Failure

Code	Description	Measurement	Packing
RM22TG20	Phase sequence + Phase Failure, 8A, 2 C/O	183-528V AC	1
RM22TA33	Ph. Sq. + Ph. Fail. + Asymmetry 8A, 2 C/O	380-480V AC	
RM22TR33	Ph. Sq. + Ph. Fail. + Over+Undervoltage, 8A, 2 C/O	380-480V AC	
RM22TU23	Ph. Sq. + Ph. Fail. + Undervoltage, 8A, 2 C/O	380-480V AC	
RM17TG00	Ph. Sq. + Ph. Fail. , 5A, 1 C/O	208-480V AC	
RM17TG20	Ph. Sq. + Ph. Fail. , 5A, 2 C/O	208-480V AC	
RM17TT00	Ph. Sq. + Ph. Fail. (regeneration 70% Un) , 5A, 1 C/O	208-480V AC	
RM17TU00	Ph. Sq. + Ph. Fail. + Undervoltage , 5A, 1 C/O	208-480V AC	
RM17TA00	Ph. Sq. + Ph. Fail. + Asymmetry , 5A, 1 C/O	208-480V AC	
RM17TE00	Ph. Sq. + Ph. Fail. + Asymmetry + Over/Undervoltage window mode , 5A, 1 C/O	208-480V AC	
RM35TF30	Ph. Sq. + Ph. Fail. + Asymmetry + Over/Undervoltage window mode , 5A, 2 C/O	220-480V AC	
RM17UB310	Under+Overvoltage between phases, 5A, 1 C/O	220-480V AC	
RM35UB330	Under+Overvoltage between phases, 5A, 1 C/O + 1C/O	220-480V AC	
RM35UB3N30	Under+Overvoltage between phases & neutral 1C/O + 1C/O + asence of neutral	120-277V AC	
RM35TM50MW	Ph. Sq. + Ph. Fail. + PTC thermal protection , 5A, 2 N/O	208-480V AC	
RM35TM250MW	Ph. Sq. + Ph. Fail. + PTC thermal protection + test button , 5A, 2 N/O	220-480V AC	
RM22UA23MR	Over Voltage, 8A, 2 C/O	24-240V AC/DC	
RM22UA33MT	Under or/and Over Voltage, 8A, 2 C/O	380-415V AC	
RM22JA21MR	Overcurrent, 8A, 2 C/O	24-240V AC/DC	
RM35JA32MR	Over or/and Undercurrent, 8A, 2 C/O	24-240V AC/DC	
RM35JA32MT	Over or/and Undercurrent, 8A, 2 C/O	380-415V AC	
RM17UBE15	Under and Overvoltage in window mode, 1 C/O	65-260V AC/DC	
RM17UAS15	Under and Overvoltage, 1 C/O	65-260V AC/DC	
RM35UA13MW	Under and Overvoltage, 2 C/O	15-600V AC/DC	
RM17JC00MW	Overcurrent, 1 C/O	2-20A	
RM35JA31MW	Over or Undercurrent, 2 C/O	2-500mA	
RM35JA32MW	Over or Undercurrent, 2 C/O	0.15-15A	
RM35HZ21FM	Over and Under Frequency control relay 1C/O+1C/O	40-60 Hz	

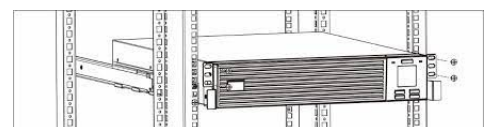


UPS

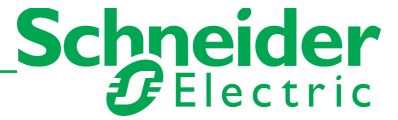
APC-Schneider UPS

Code	Phase	KVA	W	Battery RUNTIME (Minutes)				
				1	2	3	4	5
BV650I-MS	1	0.65	375	6-10				
BV1000I-MS	1	1	600	6-10				
BVX1600LI	1	1.6	900	6-10				
BVX2200LI	1	2.2	1200	6-10				
SMV3000AI	1	3	2100	2-12				
SRV2KIL	1	2	1600	22.17	51	81	112	143
SRV3KIL	1	3	2400	15	35	57	79	102
SRV6KIL	1	6	6000	6.49	18.04	29.52	42	54
SRV10KIL	1	10	10000	2.3	8.58	15.42	22.39	29.46
E3UPS10KHB1	3	10	10000	For more details, please contact with our technical department: info@alahdabco.com				
E3UPS20KHB1	3	20	20000					
E3UPS30KHB1	3	30	30000					
SRV72BP-9A	Extended Battery for (1,2,3) KVA SRV type							
SRV240BP-9A	Extended Battery for (6,10) KVA SRV type							
APV9601	APC Easy UPS On-Line SNMP Card							
SRVRK2	APC Easy UPS Rail Kit 900MM							

* SRV models including ONLY 1 battery, extended battery to be ordered extra.



British Standard

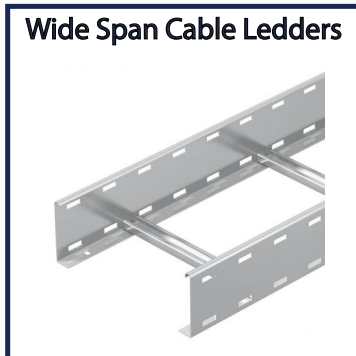
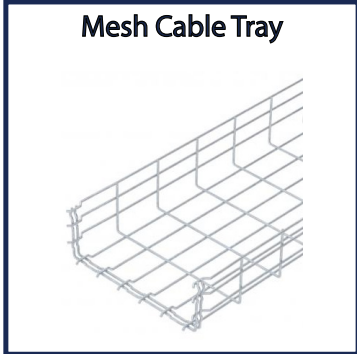
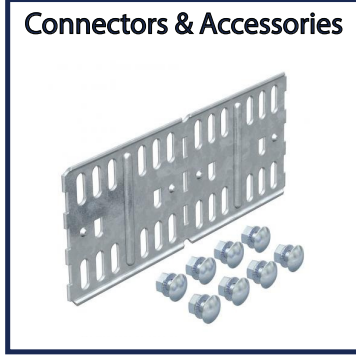
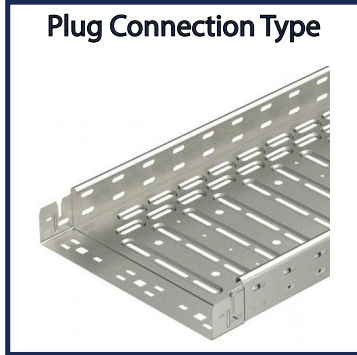


Sockets & Switches

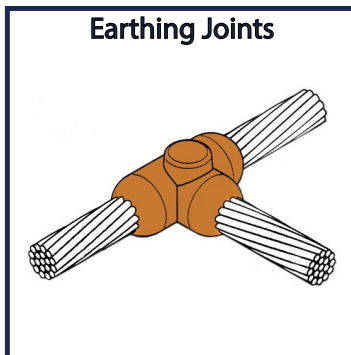
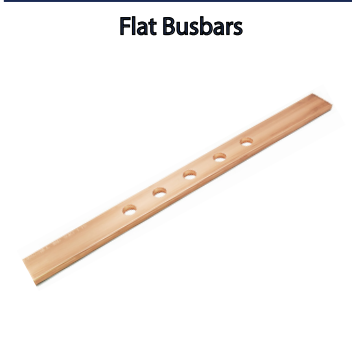
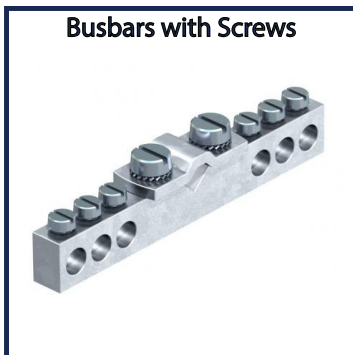
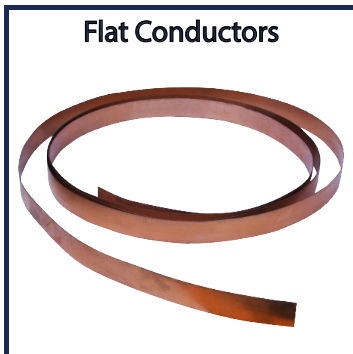
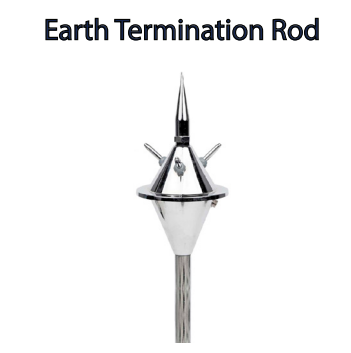
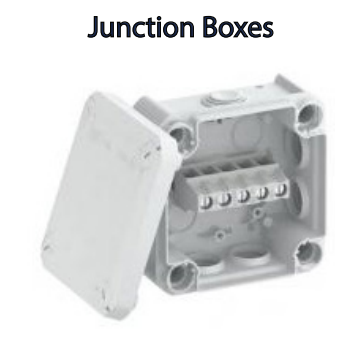
Code	Description	Packing
GGBL3010NIS	1 Gang 13A Switched Socket Double Pole	10
GGBL3020NIS	2 Gang 13A Switched Socket Double Pole	5
GGBL3090S	1 Gang 15A Switched Socket Single Pole	10
GGBL1012RBS	1 Gang 10AX Bell Switch	10
GGBL1014S	1 Gang 10AX Intermediate Switch	10
GGBL2011S	20A Double Pole Switch Neon	10
GGBL1012NIS	1 Gang 2 Way 10AX Switch	10
GGBL1022NIS	2 Gang 2 Way 10AX Switch	10
GGBL1032NIS	3 Gang 2 Way 10AX Switch	10
GGBL1042S	4 Gang 2 Way 10AX Switch	10
GGBLSIND	Sign Lamp for the switches and sockets	10
GGBL2033S	Output Unit for 25A Load	10
GUE7051W	1 Gang RJ11 Socket Module	10
GGBL7071C6S	1 Gang Data CAT6 RJ45	10
GGBL8010S	7X7 Cover - White	10
GMC131SS	1 Gang 13A Switched Socket - METAL CLAD	1
GMC132SS	2 Gang 13A Switched Socket - METAL CLAD	1
	1 Gang 16A German Standard Socket 7×7	10
	2 Gang 16A German Standard Socket 7×14	10



Cable Tray System & Accessories & Electrical Metal Pipes



Earthing System



Electric Panels



Metal Panels "IP65"

Code	Dimensions	Accessories	Color	Packing
M202015	20 × 20 × 15	Metal Plate	Grey	1
M252015	25 × 20 × 15	Metal Plate	Grey	
M302515	30 × 25 × 15	Metal Plate	Grey	
M302520	30 × 25 × 20	Metal Plate	Grey	
M403015	40 × 30 × 15	Metal Plate	Grey	
M403020	40 × 30 × 20	Metal Plate	Grey	
M403025	40 × 30 × 25	Metal Plate	Grey	
M504015	50 × 40 × 15	Metal Plate	Grey	
M504020	50 × 40 × 20	Metal Plate	Grey	
M604020	60 × 40 × 20	Metal Plate	Grey	
M604025	60 × 40 × 25	Metal Plate	Grey	
M605025	60 × 50 × 25	Metal Plate	Grey	
M705020	70 × 50 × 20	Metal Plate	Grey	
M806020	80 × 60 × 20	Metal Plate	Grey	
M806030	80 × 60 × 30	Metal Plate	Grey	
M1008020	100 × 80 × 20	Metal Plate	Grey	
M1008030	100 × 80 × 30	Metal Plate	Grey	
M1208030	120 × 80 × 30	Metal Plate	Grey	
M1408040	140 × 80 × 40	Metal Plate	Grey	
M1806040	180 × 60 × 40	Metal Plate	Grey	
M2006040	200 × 60 × 40	Metal Plate	Grey	
M2008050	200 × 80 × 50	Metal Plate	Grey	

Plastic Panels "IP65"

Code	Dimensions	Accessories	Color	Packing
P282113	28 × 21 × 13	Metal Plate	Grey	1
P332513	33 × 25 × 13	Metal Plate	Grey	
P403016	40 × 30 × 16	Metal Plate	Grey	
P504017	50 × 40 × 17	Metal Plate	Grey	
P604020	60 × 40 × 20	Metal Plate	Grey	
P705025	70 × 50 × 25	Metal Plate	Grey	
P806026	80 × 60 × 26	Metal Plate	Grey	
P905025	90 × 50 × 25	-	Grey	
PT282113	28 × 21 × 13	Metal Plate & Transparent Door	Grey	
PT332513	33 × 25 × 13	Metal Plate & Transparent Door	Grey	
PT403016	40 × 30 × 16	Metal Plate & Transparent Door	Grey	
PT604020	60 × 40 × 20	Metal Plate & Transparent Door	Grey	
PT705025	70 × 50 × 25	Metal Plate & Transparent Door	Grey	

Stabilizers



Single - Phase Stabilizers

Code	(KVA)	Dimensions	Input (V)	Output (V)	Weight (KG)
LST-0.5/1	0.5	17 × 19 × 13	140-255 VAC	220 / 230 VAC ± %1	5
LST-1/1	1	20 × 22 × 16			7
LST-1.5/1	1.5	20 × 22 × 16			8
LST-2/1	2	26 × 24 × 19			14
LST-3/1	3	29 × 22 × 24			16
LST-5/1	5	29 × 24 × 40			29
LST-5/1N	5	49 × 33 × 36			29
LST-8/1	8	29 × 24 × 42			39.5
LST-8/1N	8	56 × 33 × 36			35
LST-10/1	10	29 × 24 × 42			40
LST-10/1N	10	56 × 33 × 36			48
LST-15/1	15	40 × 33 × 65			75
LST-15/1N	15	61 × 38 × 41			55
LST-20/1	20	58 × 35 × 68			110
LST-20/1N	20	66 × 40 × 43			70
LST-30/1	30	53 × 43 × 102			165
LST-45/1	45	79 × 43 × 129	200		



Three - Phase Stabilizers

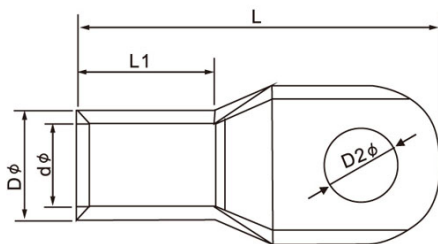
Code	(KVA)	Dimensions	Input (V)	Output (V)	Weight (KG)
LST-4.5/3	4.5	42 × 38 × 19	* Phase Vlotage: 160-250V * Wire Voltage: 275-440V	* Phase Vlotage: 220V * Wire Voltage: 380/400V	28
LST-6/3	6	37 × 28 × 68			40
LST-6/3N	6	117 × 40 × 65			85
LST-9/3	9	35 × 33 × 78			50
LST-15/3	15	43 × 38 × 73			85
LST-15/3N	15	117 × 40 × 65			105
LST-20/3	20	43 × 51 × 91			125
LST-22.5/3N	22.5	117 × 40 × 65			125
LST-30/3	30	43 × 51 × 91			130
LST-30/3N	30	127 × 40 × 65			145
LST-45/3	45	65 × 43 × 95			200
LST-45/3N	45	127 × 40 × 65			165
LST-60/3	30	77 × 55 × 100			260
LST-60/3N	60	140 × 90 × 60			260
LST-75/3N	75	140 × 90 × 60			280
LST-100/3N	100	140 × 90 × 60			310
LST-120/3N	120	165 × 95 × 67	400		
LST-150/3N	150	165 × 95 × 67	425		



Crimping & Cutter Tools for Electric Cables

Code	Description	Type	Packing
LCT6	Crimping tool up to 6mm	Manual	1
LCT25	Crimping tool up to 25mm	Manual	1
LCT35	Crimping tool up to 35mm	Manual	1
LCT120	Crimping tool up to 120mm	Manual	1
LCT150	Crimping tool up to 150mm	Manual	1
LCT300	Crimping tool up to 300mm	Hydraulic	1
LCuT80	Cutter tool up to 80mm	Manual	1
LCuT400	Cutter tool up to 400mm	Manual	1
LCuT500	Cutter tool up to 500mm	Manual	1

Cable Lugs

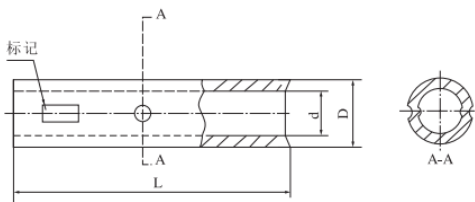


Code	D2φ(mm)	Dimensions(mm)				Conductor section(mm ²)
		dφ	Dφ	L1	L	
SC4-5	5.3	3.2	4.8	7.5	20.5	4
SC4-6	6.4	3.2	4.8	7.5	22.0	4
SC6-5	5.3	4.1	5.5	9.0	23.0	6
SC6-6	6.4	4.1	5.5	9.0	23.0	6
SC10-6	6.4	5.1	6.5	9.5	25.0	10
SC10-8	8.4	5.1	6.5	9.5	27.0	10
SC16-6	6.4	6.4	8.0	12.2	30.7	16
SC16-8	8.4	6.4	8.0	12.2	30.7	16
SC25-6	6.4	7.4	9.0	13.3	34.0	25
SC25-8	8.4	7.4	9.0	13.3	34.0	25
SC35-8	8.4	8.5	10.5	14.5	38.0	35
SC35-10	10.5	8.5	10.5	14.5	38.0	35
SC50-8	8.4	9.6	12.0	16.5	42.5	50
SC50-10	10.5	9.6	12.0	16.5	42.5	50
SC70-10	10.5	11.9	14.5	19.0	50.0	70
SC70-12	13	11.9	14.5	19.0	50.0	70
SC95-10	10.5	13.2	16.0	20.3	56.5	95
SC95-12	13	13.2	16.0	20.3	56.5	95
SC120-12	13	15.6	19.0	24.5	64.0	120
SC120-16	17	15.6	19.0	24.5	64.0	120
SC150-12	13	17.4	21.0	29.0	69.0	150
SC150-16	17	17.4	21.0	29.0	69.0	150
SC185-12	13	19	23.0	32.0	72.0	185
SC185-16	17	19	23.0	32.0	72.0	185
SC240-16	17	21.8	26.0	38.0	92.0	240
SC240-20	21	21.8	26.0	38.0	92.0	240
SC300-16	17	24.8	30.0	43.0	101.0	300
SC300-20	21	24.8	30.0	43.0	101.0	300
SC400-16	17	28	34.0	46.0	110.0	400
SC400-20	21	28	34.0	46.0	110.0	400
SC500-16	17	30	38.0	47.0	119.0	500
SC500-20	21	30	38.0	47.0	119.0	500
SC630-20	21	35	45.0	56.0	135.0	630
SC800-22		39	50.0	60.0	170.0	800
SC1000-22		44	56.0	87.0	200.0	1000

Cable Lugs

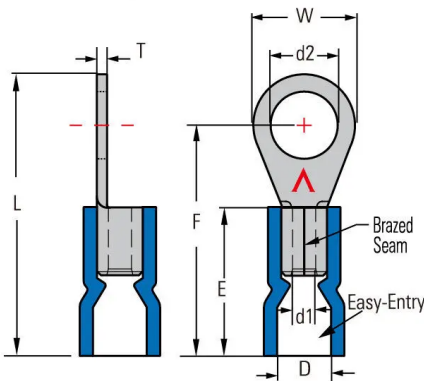


Copper connecting tube



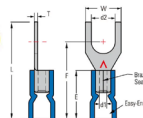
Code	Dimensions(mm)			Conductor section(mm ²)
	D	d	L	
GTY-4	4.8	3.1	20	4
GTY-5.5	5.5	3.8	25	6
GTY-10	6.8	4.8	30	10
GTY-16	7.5	5.5	35	16
GTY-25	9	7	40	25
GTY-35	10.5	8.2	45	35
GTY-50	12.5	9.8	50	50
GTY-70	14.5	11.5	55	70
GTY-95	17.5	13.5	60	95
GTY-120	19.5	15	65	120
GTY-150	21	16.5	70	150
GTY-185	23.5	18.5	75	182
GTY-240	26.5	21	80	240
GTY-300	30	24	85	300
GTY-400	34	27	90	400
GTY-500	38	30	100	500
GTY-630	45	35	110	630
GTY-800	50	39	150	800
GTY-1000	56	44	170	1000

Insulated cable lugs "Ring"



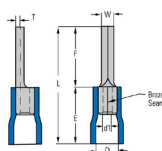
Code	Dimensions(mm)			Conductor section(mm ²)
	D	d2	W	
RIL 1.5/4	4.3	3.7	6	1.5
RIL 1.5/5	4.3	5.3	8	
RIL 1.5/6	4.3	6.4	10	
RIL 1.5/8	4.3	8.5	14	
RIL 1.5/10	4.3	10.4	14-18	2.5
RIL 2.5/4	4.8	3.7	6	
RIL 2.5/5	4.8	5.3	8	
RIL 2.5/6	4.8	6.4	11	
RIL 2.5/8	4.8	8.5	14	4 - 6
RIL 2.5/10	4.8	10.5	15-18	
RIL 5.5/5	6.7	5.3	10	
RIL 5.5/6	6.7	6.4	11	
RIL 5.5/8	6.7	8.5	14	
RIL 5.5/10	6.7	10.5	18	

Insulated cable lugs "Fork"



Code	Dimensions(mm)			Conductor section(mm ²)
	D	d2	W	
FIL 1.5	4	4.3	6.8	1.5
FIL 2.5	4.5	4.3	6.8	2.5
FIL 5.5	6.3	6.6	11	4 - 6

Insulated cable lugs "Pin"



Code	Dimensions(mm)			Conductor section(mm ²)
	D	d1	W	
PIL 1.5	4.2	1.7	1.9	1.5
PIL 2.5	5	2.3	1.9	2.5
PIL 5.5	6.8	3.4	2.98	4 - 6

Cable Lugs



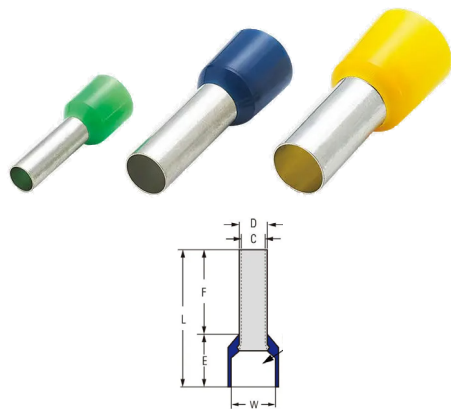
Insulated cable lugs "Sleeve"

Code	Dimensions(mm)			Conductor section(mm ²)
	D	d1	L	
SIL 1.5	4.3	1.7	26	1.5
SIL 2.5	4.8	2.3	26	2.5
SIL 5.5	6.7	3.4	27	4 - 6



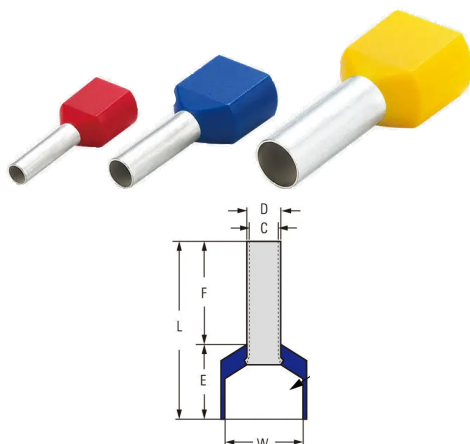
Insulated cable lugs "Female"

Code	Dimensions(mm)			Conductor section(mm ²)
	D	d1	W	
FEIL 1.5	3.5	1.7	3.2 - 5	1.5
FEIL 2.5	4.1	2.3	3.2 - 5	2.5
FEIL 5.5	5.6	3.4	6.6 - 10	4 - 6



Insulated cable lugs "Tube"

Code	Dimensions(mm)			Conductor section(mm ²)
	D	C	W	
TIL 0.75	1.55	1.2	2.8	0.75
TIL 1	1.75	1.4	3	1.0
TIL 1.5	2.1	1.7	3.5	1.5
TIL 2.5	2.6	2.3	4.2	2.5
TIL 4	3.3	2.8	4.8	4.0
TIL 6	4	3.5	6	6.0
TIL 10	5	4.5	7.4	10.0
TIL 16	6.3	5.8	8.8	16.0
TIL 25	7.8	7.5	11.2	25.0
TIL 35	8.8	8.3	12.7	35.0



Insulated cable lugs "Twin Cord End"

Code	Dimensions(mm)			Conductor section(mm ²)
	D	C	W	
TWIL 0.75	2.1	1.8	5	2 × 0.75
TWIL 1	2.4	2.1	5.3	2 × 1.0
TWIL 1.5	2.6	2.3	6.4	2 × 1.5
TWIL 2.5	3.3	2.9	7.8	2 × 2.5
TWIL 4	4.2	3.8	8.8	2 × 4.0
TWIL 6	5.3	4.9	9.5	2 × 6.0
TWIL 10	6.9	6.5	12.6	2 × 10.0
TWIL 16	8.7	8.3	19	2 × 16.0

Cable Lugs



Insulated cable lugs "Male"

Code	Dimensions(mm)			Conductor section(mm ²)
	D	d1	W	
MIL 1.5	3.9	1.7	2.8 - 4.8	1.5
MIL 2.5	4.7	2.3	2.8 - 4.8	2.5
MIL 5.5	6.3	3.4	6.4	4 - 6

Fully Insulated cable lugs "Female"

Code	Dimensions(mm)			Conductor section(mm ²)
	D	d1	W	
FFEIL 1.5	3.8	1.7	3.2 - 5	1.5
FFEIL 2.5	4.7	2.3	3.2 - 5	2.5
FFEIL 5.5	6.2	3.4	6.6 - 10	4 - 6

Insulated cable lugs "Screw Clamping"

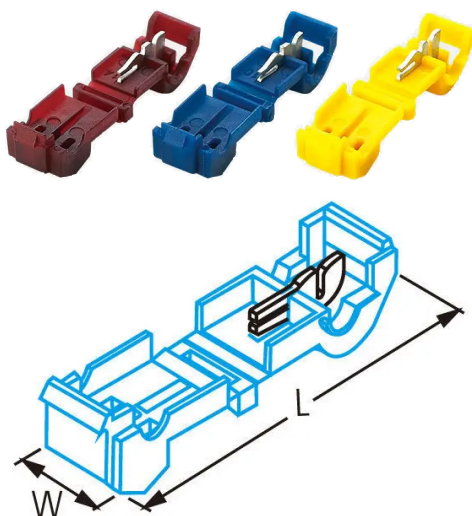
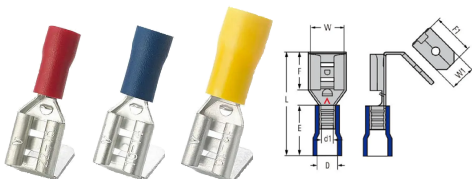
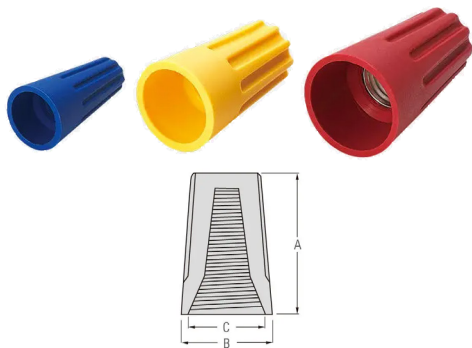
Code	Dimensions(mm)		
	A	B	C
SCIL 1	14.5	8.5	6.7
SCIL 2	18.5	10	8.1
SCIL 3	21	11.4	8.8
SCIL 4	23	14	11.5
SCIL 6	26.5	15.5	13.5
SCIL 8	32.2	18.3	14.8

Insulated cable lugs "Male & Female"

Code	Dimensions(mm)				Conductor section(mm ²)
	D	d1	W	W1	
MFIL 1.5	3.3	1.7	6.7	6.4	1.5
MFIL 2.5	4.1	2.3	6.7	6.4	2.5
MFIL 5.5	5.6	3.4	6.7	6.4	4 - 6

Insulated Connectors "Quick Splice"

Code	Dimensions(mm)		Application for Cable Size (mm ²)
	W	L	
QCS 1	10	38	0.5 - 1.0
QCS 2	10	38	1.0 - 2.5
QCS 3	10	38	4 - 6





Coaxial Cables



Industrial Metal Conduits



Metal Conduits

Code	Conductor Size (mm)	Packing/Roll
MC 16	16 mm	25 mtr.
MC 20	20 mm	25 mtr.
MC 25	25 mm	25 mtr.
MC 32	32 mm	15 mtr.

Gland Metal Conduits

Code	Dimensions	Packing
GMC 16	16 mm	10
GMC 20	20 mm	10
GMC 25	25 mm	10
GMC 32	32 mm	10


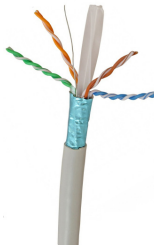




PVC - Metal Conduits

Code	Conductor Size (mm)	Packing/Roll
MC-PVC 16	16 mm	25 mtr.
MC-PVC 20	20 mm	25 mtr.
MC-PVC 25	25 mm	25 mtr.
MC-PVC 32	32 mm	15 mtr.
MC-PVC 38	38 mm	15 mtr.
MC-PVC 50	50 mm	10 mtr.

Gland PVC - Metal Conduits

Code	Conductor Size (mm)	Packing/Roll
GMC-PVC 16	16 mm	10
GMC-PVC 20	20 mm	10
GMC-PVC 25	25 mm	10
GMC-PVC 32	32 mm	10
GMC-PVC 38	38 mm	10
GMC-PVC 50	50 mm	10


Special Cables


Fire Cables	UTB Cable / CAT6e Shielded	UTB Cable / CAT7e Shielded
		
Telephone Cables	CCTV Cables	Control Cables
		

Cables Accessories

PVC - Cable Glands



Code	Color	Packing
PG 07	White 	100
PG 09		100
PG 11		100
PG 13.5		100
PG 16		100
PG 19		100
PG 21		50
PG 25		50
PG 29		50
PG 36		50
PG 42		25
PG 48		20
PG 63		10

PG 07 B	Black 	100
PG 09 B		100
PG 11 B		100
PG 13.5 B		100
PG 16 B		100
PG 19 B		100
PG 21 B		50
PG 25 B		50
PG 29 B		50
PG 36 B		50
PG 42 B		25
PG 48 B		20
PG 63 B		10



CU - Cable Glands

Code		Packing
Non - Armored	Armored	
A2 16 S	BW 16 S	1
A2 16 L	BW 16 L	1
A2 20 S	BW 20 S	1
A2 20 L	BW 20 L	1
A2 25 S	BW 25 S	1
A2 25 L	BW 25 L	1
A2 32 S	BW 32 S	1
A2 32 L	BW 32 L	1
A2 40 S	BW 40 S	1
A2 40 L	BW 40 L	1
A2 50 S	BW 50 S	1
A2 50 L	BW 50 L	1
A2 63 S	BW 63 S	1
A2 63 L	BW 63 L	1
A2 75 S	BW 75 S	1
A2 75 L	BW 75 L	1

Cable Tie



Cable Tie

Code	Size (mm)		Color	Material	Packing
	Length	Thickness			
5209 CE	140	3.5	○	PVC	200
5309 CE	140	3.5	●		200
5214 CE	200	3.5	○		150
5314 CE	200	3.5	●		150
5216 CE	250	4.8	○		90
5316 CE	250	4.8	●		90
5210 CE	290	3.5	○		100
5310 CE	290	3.5	●		100
5226 CE	300	7.8	○		35
5219 E	360	4.5	○		60
5319 E	360	4.5	●		60
5220 E	430	4.5	○		60
5320 E	430	4.5	●		60
5229 E	450	7.5	○		25
5231 E	540	7.5	○		20
5233 E	750	7.5	○	12	
5314 CUVE	200	3.5	●	U-PVC	70
5317 CUVE	290	4.5	●		35
5327 CUVE	365	7.5	●		15



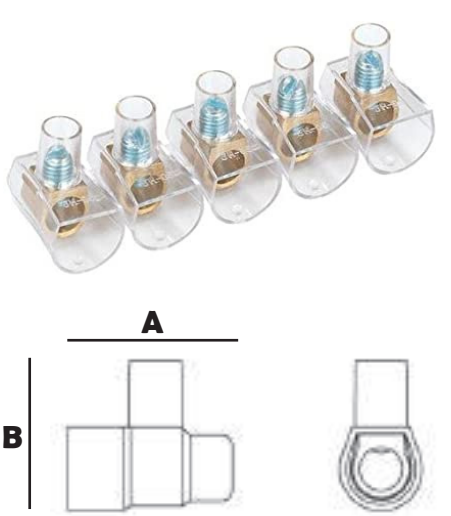
Cable Tie Accessories

Code	Description	Color	Material	Packing
5467 RBE	Mounting base with rubber adhesive 19×19mm	○	PVC	50
5473 RBE	Mounting base with rubber adhesive 27×27mm	○	PVC	50
5458 E	Anchoring base for cable tie 10×43.5×9.7 mm	●	U-PVC	100

Electric Terminals

One input single pole terminal block

Code	Section mm ²	N° poles	Cable section mm ²	Nominal tension (V)	Width mm	Height mm	Packing
EBS 40	4	10	2.5÷4	450	22	20	25
EBS 60	6	10	4÷6	450	25	22	25
EBS 100	10	10	6÷10	500	29	26	10
EBS 160	16	5	6÷16	500	35	31	10
EBS 250	25	1	10÷25	500	39	40	5
EBS 350	35	1	16÷35	500	43	43	5

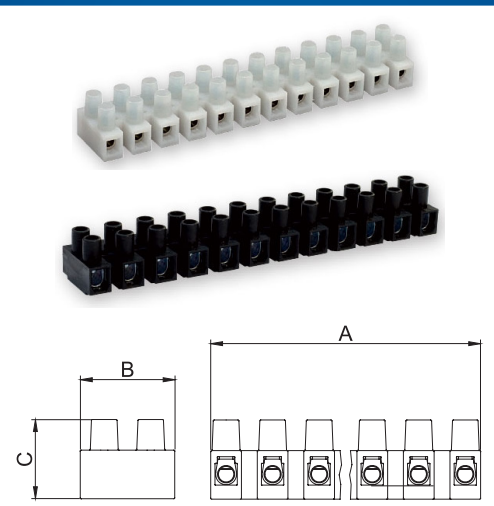


Electric Terminals



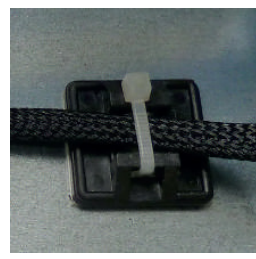
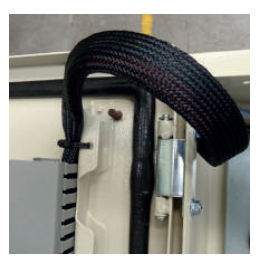
Multi-Way terminal block

Code	Section mm ²	N° poles	Connectable cables	Nominal tension	Rated current	Color	Dimension mm			Packing
							A	B	C	
B104	4	12	2x4 mm ²	450 V	24 A	○	96	17	15	100
B106	6	12	2x6 mm ²	450 V	32 A	○	117	19	17	100
B110	10	12	2x10 mm ²	500 V	57 A	○	141	24	19	100
B116	16	12	2x16 mm ²	500 V	76 A	○	170	25	21	100
B125	25	12	2x25 mm ²	750 V	101 A	○	195	36	26	50
B2104	4	12	2x4 mm ²	450 V	24 A	●	96	17	15	100
B2106	6	12	2x6 mm ²	450 V	32 A	●	117	19	17	100
B2110	10	12	2x10 mm ²	500 V	57 A	●	141	24	19	100
B2116	16	12	2x16 mm ²	500 V	76 A	●	170	25	21	100
B2125	25	12	2x25 mm ²	750 V	101 A	●	195	36	26	50



Spirals

Code	Internal ø (mm)	External ø (mm)	Thickness (mm)	Ø bundle Min/Max (mm)	Color	Packing (m)
SP 9	8.2	10	0.85	9 ÷ 50	○	25
SP 12	10	12	1	11 ÷ 70	○	25
SP 15	12	14	1	13 ÷ 80	○	20
SP 20	17.6	20	1.2	18 ÷ 120	○	25
SP 25	22.2	25	1.4	23 ÷ 150	○	20
SP 9N	8.2	10	0.85	9 ÷ 50	●	25
SP 12N	10	12	1	11 ÷ 70	●	25
SP 15N	12	14	1	13 ÷ 80	●	20
SP 20N	17.6	20	1.2	18 ÷ 120	●	25
SP 25N	22.2	25	1.4	23 ÷ 150	●	20



Braided Sleeve

Code	Material	Ø bundle Min/Max (mm)	Color	Packing (m)
15502008	Polyester	8 ÷ 15	●	100
15502010	Polyester	10 ÷ 18	●	100
15502012	Polyester	12 ÷ 22	●	50
15502015	Polyester	15 ÷ 25	●	50
15502018	Polyester	18 ÷ 28	●	50
15502020	Polyester	20 ÷ 30	●	50
15502025	Polyester	25 ÷ 38	●	50
15502030	Polyester	30 ÷ 49	●	50
15502040	Polyester	40 ÷ 60	●	50



Special Products



Self-amalgamating Tape



Code	Tech. Details	Thickness (mm)	Width (mm)	Length (m)	Color	Packing
NI 69A	<ul style="list-style-type: none"> Ethylene propylene rubber • 35 kV/mm • -40°C ÷ +90°C • 20 N/cm 	0.75	19	10	●	1

Mechanical Anchors & Screws

Tridder



Code	Ø thread (mm)	Anchor length (mm)	Ø drilling (mm)	Drilling depth (mm)	Min. embedment depth (mm)	Pack (pcs.)
569551	M6	55	10	65	43	100
569552	M8	58	12	70	46	100
569553	M10	73	15	85	57	50

BLUEFIX



Code	Ø drilling (mm)	Drilling depth (mm)	Anchor length (mm)	Ø screw (mm)	Screw length (mm)	Max. fixing thickness (mm)	Pack (pcs.)
565535	6	50	35	4.5	50	10	15

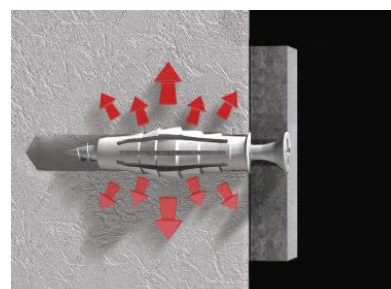


Universal T6 Anchors

ZINC PLATED COUNTERSUNK FLAT HEAD SCREW - POZIDRIV



Code	Ø drilling (mm)	Drilling depth (mm)	Anchor length (mm)	Ø screw (mm)	Screw length (mm)	Max. fixing thickness (mm)	Pack (pcs.)
565390	6	40	30	4.5	40	5	100



Heat Shrink



ET 100 : 1 metre tubing heat shrink Self-extinguishing UL224

Code	Ø internal expanded (mm)	Ø internal recovered (mm)	Wall recovered thickness (mm)	Color	Packing (meter)
12273024	2.4	1.2	0.51	Black	30
12273032	3.2	1.6	0.51		30
12273048	4.8	2.4	0.51		24
12273064	6.4	3.2	0.64		24
12273095	9.5	4.7	0.64		20
12273127	12.7	6.4	0.64		16
12273190	19.1	9.5	0.77		10
12273254	25.4	12.7	0.89		6
12273381	38.1	19.1	1.02		4
12273508	50.8	25.4	1.14		3
12273762	76.2	38.1	1.27	3	
12273994	101.6	50.8	1.40	3	
12273032 G/V	3.2	1.6	0.51	Yellow-Green	30
12273048 G/V	4.8	2.4	0.51		24
12273064 G/V	6.4	3.2	0.64		24
12273095 G/V	9.5	4.7	0.64		20
12273127 G/V	12.7	6.4	0.64		16
12273190 G/V	19.1	9.5	0.77		10
12273254 G/V	25.4	12.7	0.89	6	
12273381 G/V	38.1	19.1	1.02	4	
12273508 G/V	50.8	25.4	1.14	3	
12273032 BL	3.2	1.6	0.51	Blue	30
12273048 BL	4.8	2.4	0.51		24
12273064 BL	6.4	3.2	0.64		24
12273095 BL	9.5	4.7	0.64		20
12273127 BL	12.7	6.4	0.64		16
12273190 BL	19.1	9.5	0.77		10
12273254 BL	25.4	12.7	0.89		6
12273381 BL	38.1	19.1	1.02		4
12273508 BL	50.8	25.4	1.14		3
12273032 R	3.2	1.6	0.51		Red
12273048 R	4.8	2.4	0.51	24	
12273064 R	6.4	3.2	0.64	24	
12273095 R	9.5	4.7	0.64	20	
12273127 R	12.7	6.4	0.64	16	
12273190 R	19.1	9.5	0.77	10	
12273254 R	25.4	12.7	0.89	6	
12273381 R	38.1	19.1	1.02	4	
12273508 R	50.8	25.4	1.14	3	
12273032 MAR	3.2	1.6	0.51	Brown	
12273048 MAR	4.8	2.4	0.51		24
12273064 MAR	6.4	3.2	0.64		24
12273095 MAR	9.5	4.7	0.64		20
12273127 MAR	12.7	6.4	0.64		16
12273190 MAR	19.1	9.5	0.77		10
12273254 MAR	25.4	12.7	0.89		6
12273381 MAR	38.1	19.1	1.02		4
12273508 MAR	50.8	25.4	1.14		3



High Quality Tools

NO. 5



Wire Stripper



NO. 16



Quadro-Stripper
multifunctional stripper,
working range stripping
0,5 - 6,0 mm² / skinning
8 - 13 mm Ø

NO. 35



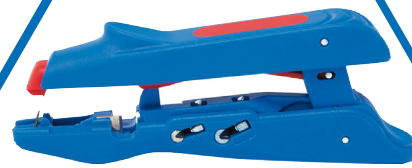
Cable Scissors

**Fibre Optic
Stripper**



**Stripping fibre optic
cables Ø 0,125 mm**

NO. 300



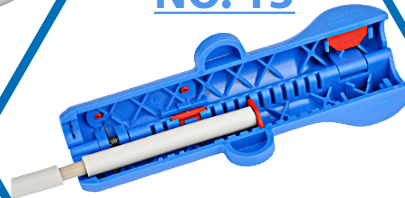
**Wire Stripping
and Crimping**

**Mini-Solar
No. 3**



**For skinning and stripping
common photovoltaic ca-
bles incl. side cutter, work-
ing range 1,5 - 6,0 mm²**

NO. 13



**Round Cable
Stripper**

No. 4-29



**Cable Stripper Spiral
round, longitudinal and spi-
ral cutting from 4,5 - 29 mm**

Flex+Bond



**Flex+Bond 85ml
White**

Epoxy



**Epoxy Minute
Adhesive 24ml**

Cleaner



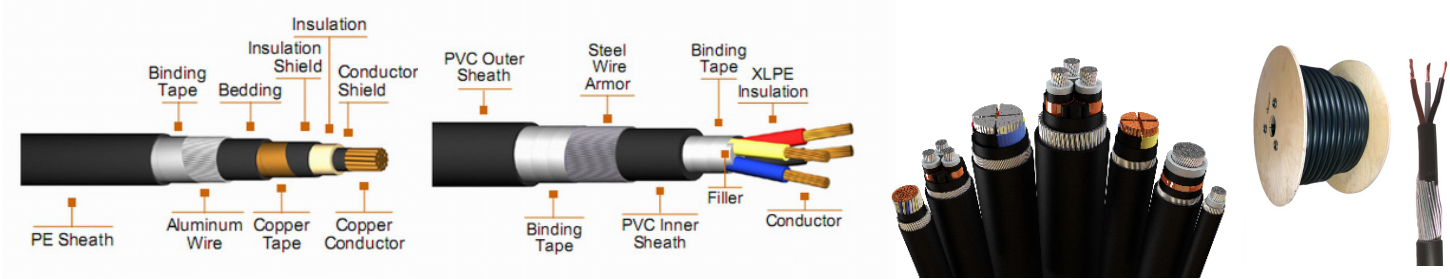
**Contact Spray
400ml**

CABLES




































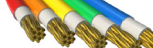


Armored Power Cables













All armored cables are available subject to the size and length.


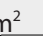





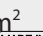

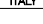
Flexible Power Cables (Roll 91 Yards)

Round "White" Cables	
	2x0.5mm ²
	2x0.75mm ²
	2x1mm ²
	2x1.5mm ²
	2x2.5mm ²
	2x4mm ²
	2x6mm ²
	2x10mm ²
	2x16mm ²
	3x0.5mm ²
	3x0.75mm ²
	3x1mm ²
	3x1.5mm ²
	3x2.5mm ²
	3x4mm ²
	3x6mm ²
	3x10mm ²
	3x16mm ²

Round "White" Cables	
	4x0.5mm ²
	4x0.75mm ²
	4x1mm ²
	4x1.5mm ²
	4x2.5mm ²
	4x4mm ²
	4x6mm ²
	4x10mm ²
	4x16mm ²
	5x0.5mm ²
	5x0.75mm ²
	5x1mm ²
	5x1.5mm ²
	5x2.5mm ²
	5x4mm ²
	5x6mm ²
	5x10mm ²
	5x16mm ²





Round "Black" Cables	
	2x1mm ² 
	2x1.5mm ² 
	2x2.5mm ² 
	3x1mm ² 
	3x1.5mm ² 
	3x2.5mm ² 

Flat "White" Cables	
	2x0.35mm ² 
	2x1mm ² 

Flat "Black" Cables	
	2x0.35mm ² 
	2x1mm ² 

Flexible Power Cables "Single Core"

Single Core Cable (Roll 91 Yards)	
	1x1mm ²
	1x1.5mm ²
	1x2.5mm ²
	1x4mm ²
	1x6mm ²
	1x10mm ²
	1x16mm ²
	1x25mm ²
	1x35mm ²
	1x50mm ²

Single Core Cable (Meter)	
	1x70mm ²
	1x95mm ²
	1x120mm ²
	1x150mm ²





RUBBER CABLES

H05RN-F

Nominal section (Nxmm ²)	Max wire diameter (mm)	Conductor diameter (mm)	Copper electric resistance 20°C (Ω/km)	Indicative weight (kg/km)	CU Factor (kg/km)
2x0.75	0.21	1.052	26.00	58	14.40
2x1.00	0.21	1.215	19.50	69	19.20
3x0.75	0.21	1.052	26.00	72	21.60
3x1.00	0.21	1.215	19.50	83	28.80
4x0.75	0.21	1.052	26.00	N/A	28.80
4x1.00	0.21	1.215	19.50	N/A	38.40

H07RN-F

Nominal section (Nxmm ²)	Max wire diameter (mm)	Conductor diameter (mm)	Copper electric resistance 20°C (Ω/km)	Indicative weight (kg/km)	CU Factor (kg/km)
1x1.50	0.26	1.435	13.30	62	14.40
1x2.50	0.26	1.879	7.98	79	24
1x4.00	0.31	2.445	4.95	110	38.40
1x6.00	0.31	2.955	3.30	140	57.60
1x10.00	0.41	3.992	1.91	225	96
1x16.00	0.41	5.20	1.21	285	153.60
1x25.00	0.41	6.50	0.78	415	240
1x35.00	0.41	7.70	0.55	550	336
1x50.00	0.41	9.30	0.38	780	480
1x70.00	0.51	10.80	0.27	1040	672
1x95.00	0.51	13.60	0.20	1320	912
1x120.00	0.51	14.80	0.16	1690	960
1x150.00	0.51	17.40	0.12	2050	960
2x1.00	0.21	1.215	19.50	115	19.20
2x1.50	0.26	1.435	13.30	140	28.80
2x2.50	0.26	1.879	7.98	200	48
2x4.00	0.31	2.445	4.95	275	76.80
2x6.00	0.31	2.955	3.30	365	115.20
3x1.00	0.21	1.215	19.50	135	28.80
3x1.50	0.26	1.435	13.30	170	43.20
3x2.50	0.26	1.879	7.98	240	72
3x4.00	0.31	2.445	4.95	335	115.20
3x6.00	0.31	2.955	3.30	445	172.80
3x10.00	0.41	3.992	1.91	835	288
3x25.00	0.41	6.50	0.78	1530	720
4x1.00	0.21	1.215	19.50	165	38.40
4x1.50	0.26	1.435	13.30	205	57.60
4x2.50	0.26	1.879	7.98	290	96
4x4.00	0.31	2.445	4.95	420	153.60
4x6.00	0.31	2.955	3.30	565	230.40
4x10.00	0.41	3.992	1.91	1030	384
4x16.00	0.41	5.20	1.21	1290	614.40
4x25.00	0.41	6.50	0.78	1930	960
4x35.00	0.41	7.70	0.55	2540	1344
5x1.00	0.21	1.215	19.50	205	48
5x1.50	0.26	1.435	13.50	255	72
5x2.50	0.26	1.879	7.98	360	120
5x4.00	0.31	2.445	4.95	520	192
5x6.00	0.31	2.955	3.30	695	288
5x10.00	0.41	3.992	1.91	1250	480
5x16.00	0.41	5.20	1.21	1590	768
5x25.00	0.41	6.50	0.78	2380	1200

PHOTOVOLTAIC CABLES

Nominal section (Nxmm²)






- 1x2.50
- 1x4.00
- 1x6.00
- 1x10.00
- 1x16.00





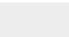

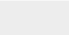



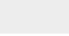
Cable Trunking System




Mini Trunking

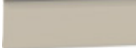









Code	Size (cm)	Section	Profile	Color
K1010.3	1x1	1		○
K1515.3	1.5x1.5	1		○
K1825.3	1.8x2.5	1		○
K1831.3	1.8x3	2		○
K1515.5	1.5x1.5	1		●

Floor Trunking

Code	Size (cm)	Section	Profile	Color
KP1031.1	3.5x1	2		●
KP1031.3	3.5x1	2		○
KP1031.5	3.5x1	2		●
KP1252.1	5x1.2	3		●
KP1252.3	5x1.2	3		○
KP1252.5	5x1.2	3		●
KP1873.1	7.5x1.8	4		●
KP1873.3	7.5x1.8	4		○
KP1873.5	7.5x1.8	4		●

Distribution Trunking System

Code	Size (cm)	Section	Profile	Color
K60100.3	10x6	3		○

Code	Description	Profile	Color
GTR60-1	Separator length 1 m		○
KI60100V.3	Variable internal angle		○
KA60100V.3	Variable external angle		○
KI60100.3	Internal angle		○
KA60100.3	External angle		○
KW60100.3	Flat angle		○
KT60100R.3	T-Joint		○
KV100.3	Cover joint		○
KE100.3	End piece		○
KTR100	Cable clamp		○



Cable Trunking System



Distribution Trunking System

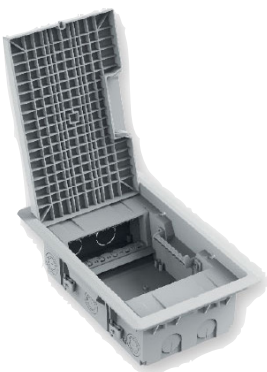
Code	Description	Profile	Color
683	Socket box 3 modules for trunkings H60 mm		<input type="radio"/>
686	Socket box 3-4-7 modules for trunkings H60 mm		<input type="radio"/>
KCF100-53.3	Frames for socket boxes 683+686		<input type="radio"/>
SPL504.3	Socket box 4-3 modules italian standard		<input type="radio"/>
SPL506.3	Socket box 7 modules italian standard		<input type="radio"/>
6701.3	Derivation box without separator		<input type="radio"/>
SP503.3	Socket boxes 3 modules italian standard		<input type="radio"/>
SP504.3	Socket boxes 4 modules italian standard		<input type="radio"/>
SPM506.3	Socket box 7 modules monobloc italian standard		<input type="radio"/>
L22.3	Adapter for boxes		<input type="radio"/>

Slotted Trunking

Code	Size BxH	Length (m)	Color
V5K4025	25x40 mm	2	<input type="radio"/>
V5K4040	40x40 mm	2	<input type="radio"/>
V5K4060	40x60 mm	2	<input type="radio"/>

Walkable Trunking





Columns Sockets



Code	Description	Height (cm)	Color
12932	Underfloor power supply 2 boxes, up to 14 module	30	1. Anodized Aluminium 2. Black 3. White
12954	Underfloor power supply 4 boxes, up to 28 module	50	
12976	Underfloor power supply 6 boxes, up to 42 module	70	
129388	Underfloor or countertop power supply 8 boxes, up to 56 module	270 - 380	

Floor Box Socket System

Code	Description	Socket System
SFP04V	Empty flush floor box for 1 support frame	
SFP12V	Total modules 12, Turret supplied with 2 self-supporting frames item SMP6V for 6 modules VIMAR Plana	
SFP24V	Total modules 24, Turret supplied with 4 self-supporting frames item SMP6V for 6 modules VIMAR Plana	PLANA & MATIX
SFP12VX	Total modules 12, Turret supplied with 2 self-supporting frames item SMP6V for 6 modules VIMAR Plana Stainless steel insert	
S04BOX	Formwork of galvanized sheet iron with cover and adapters for SFP04	
S08BOX	Formwork of galvanized sheet iron with cover and adapters for SFP12	
S16BOX	Formwork of galvanized sheet iron with cover and adapters for SFP24	

Desk Box Socket Solutions

Code	Description	Ø Hole (mm)	Color
MA104A3	Wiring pop-up turrets, of aluminium for 8 modules Ave 44	125	○
MA104N	Wiring pop-up turrets, of aluminium for 8 modules Ave 44	125	●
MSE240N	Pair of brackets in painted stainless steel, with electrifiable aluminum module, with 1 box 3, 4, 7 places, 1 M20 cable gland for cables Ø 6/12 mm	-	●
KP2504.3	For 2 supports of 4 modules each side Italian standard	-	○
KP2504.2	For 2 supports of 4 modules each side Italian standard	-	●



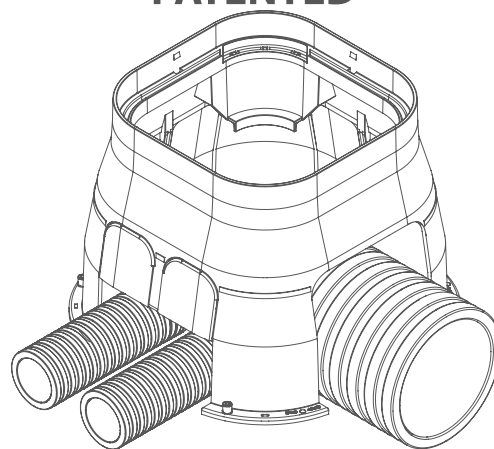
Ground Earthing Accessories



Bentonite 313SC



PATENTED



Manholes



Code	Description	Max Loading	Color
PZ2323G	Electric and hydraulic well boxes with closed bottom 23×23×23.5 cm	300 Kg	○
PZ3232G	Electric and hydraulic well boxes with closed bottom 30×30×30 cm	400 Kg	○
PB4040G	Electric and irrigation well boxes 40.5×40.5×30 cm	500 Kg	○
PB4050G	Electric and irrigation well boxes 52.5×39.5×30 cm	1200 Kg	○
PB5060G	Electric and irrigation well boxes 60.5×52.5×30 cm	600 Kg	○

Terminals

Code	Description	Cable cross section	Color
5011F	Equipotential terminals 11 holes	2 x 16 mm ² 9 x 10 mm ²	○
5011N	Equipotential terminals 11 holes	2 x 16 mm ² 9 x 10 mm ²	●
T1611	Equipotential terminals 11 holes	2 x 16 mm ² 9 x 10 mm ²	●
5015N	Equipotential terminals 15 holes	2 x 16 mm ² 13 x 10 mm ²	●
T1615	Equipotential terminals 15 holes	2 x 16 mm ² 13 x 10 mm ²	●





Emergency Light

LED Emergency Lighting

Code	Description	Type	Battery	IP	lumen	Packing
GR-9/LEDs	Slim light, 3hours	SE/SA	NiCd 3.6V/1.0Ah	42	100	12
GR-1312/30L	Easy light, 3hours	SE/SA	NiCd 3.6V/3.0Ah	42	210	12
MLD-28D/W	Eco light, 3hours	SE/SA	NiCd 3.6V/1.0Ah	40	85lm	10
CLD-30/NST	New Eco Light, 3hours	SE/SA	NiCd 3.6V/1.0Ah	40	95lm	5
GRL-29/WP	Power Light, 3hours	SE/SA	Pb 12V / 7Ah	65	1620	1
A-3018	Spring accessory for ceiling installing for item GR-1312/30L					2
SP116	Marking panel accessory for ceiling installing for item GR-1312/30L					1
A-1132	Hanging accessory with 25cm tbe for item CLD-30/NST					1



GR-9/LEDs



GR-1312/30L

SP116



A-3018



MLD-28D/W

CLD-30/NST



A-1132

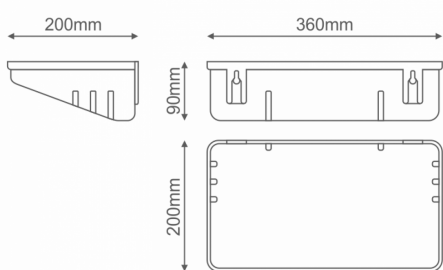


GRL-29/WP



INSECT KILLERS

Code	HxL (cm)	(W)	Description	Packing
RT-30	20x36	8	Wall mounted single sided electric insect trap with glue	1
RT-70	40x49	30	Single sided electric insect trap with glue	1
RT-72	42x49	30	Double sided electric insect trap with glue	1
A-1048	18x35	-	Glue board spare part for RT-30	1
A-1055	37x45	-	Glue board spare part for RT-70	1
A-1056	37x45	-	Glue board spare part for RT-72	1



RT-30



RT-70



RT-72



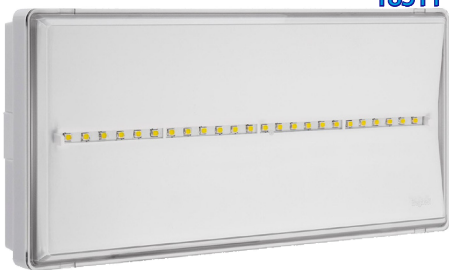
STILE +



EUROCOMPLETA LED



18511



4127



4129



4128



18581



18583



18582



UP.LED MULTI

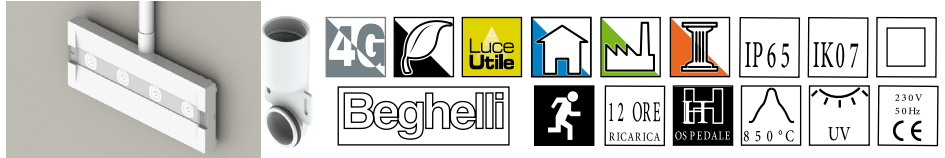


UP.LED EXIT

824BA



LED Emergency Light



STILE EMERGENCY

Code	Description	Type	Battery	IP	Flux SE Im	Packing
19503	Stile 3HR IP42 SE/SA RM	SE/SA	NiCd 3.6V, 0.5Ah	42	80-250	12

EUROCOMPLETA LED EMERGENCY

Code	Description	Type	Battery	IP	Flux SE Im	Packing
4114/E1	EUROCOMPLETA LED 3H	SE-SA	NiCd 3.6V, 1.5Ah	42	350	6

Pratica Modula Easy LED EMERGENCY

Accessories to be order separately

Code	Description	Type	Battery	IP	Flux SE Im	Packing
18511	PM EASY EU 3H TRSA	SE-SA	LiFe 3.2V, 0.5Ah	65	250	6

18593



18594



18595



18596



18584 Stickers



18592



18598



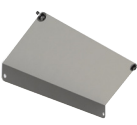
2723



18587



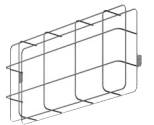
18590



18597



18591



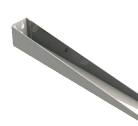
4319



18580



18585



18586



18589



MULTI EMERGENCY

Code	Description	Type	Battery	IP	Flux SE Im	Packing
4331	UP LED MULTI 60MM SE 3H	SE	NiCd 3,6 1,5 Ah	42	180	6

UP.LED EXIT

Code	Description	Type	Battery	IP	DV (M)	Packing
4320	UP LED EXIT DF20M	SA	NiMh 3.6V, 0.75Ah	40	20	6

BANDIERA EMERGENCY

Code	Description	Type	Battery	IP	DV (M)	Packing
824BA	UP LED "Bandiera" EXIT 40M	SA	Life 3.2V, 1.5Ah	65	40	6



OUTDOOR LED LIGHTING



72010
72012

IP65 High-Performance LED fixture light

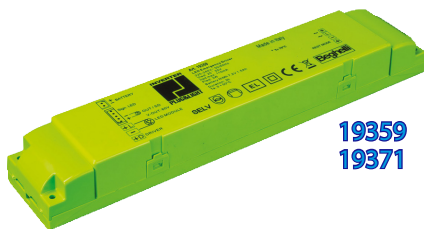
Code	Watt	Lumen	CCT	IP	lm/w	Packing
72010	36-53	7000	4000K	65	134	1
72012	36-53	7500	6500K	65	135	1



72003ST

IP65 fixture light "Empty"

Code	Description	IP	Packing
72003ST	Empty fixture 2x1200mm, for 1 and 2 side LED tube connection	65	10



19359
19371

Inverter Emergency LED Lighting

Code	Description	Packing
19359	INVERTER PLUG&LIGHT LED SE/SA 3H 20-60V	1
19371	INVERTER PLUG&LIGHT LED SE/SA 3H 60-180V	1



8741S

IP65 LED Flood Light with Sensor

Code	Description	IP	Packing
8741S	20W LED Flood light 1900 Lumen with motion sensor for outdoor and indoor use	65	6



OUTDOOR LED LIGHTING



F30LED
F50LED
F70LED



40861
40864



LOUVRES LED Flood Light "ED"

Code	Watt	Lumen	CCT	IP	lm/w	Packing
F30LED	17	1800	4000K	66	110	8
F50LED	26	3000	4000K	66	110	8
F70LED	37	4000	4000K	66	110	8

LOUVRES LED Flood Light, Highaby Light, Street Light "ED"

Code	Watt	Lumen	CCT	IP	lm/w	Packing
40861	151	25000	4000K	66	153-165	1
40864	203	30500	4000K	66	137-150	1



INDOOR LED LIGHTING

Beghelli

BACKLIGHT



CLINIC IP65



PAN RTI



LENSPAN



PANEL LED

Code	Description	Driver Type	Watt	Lumen	CCT	lm/w	Packing
70089	BACKLIGHT LED 600x600	ED	40	4500	4000K	113	5
70083	BACKLIGHT LED 300x1200	ED	36	3600	4000K	100	5
41134	CLINIC P M600 SG IP65	ED	47	5150	4000K	110	1
41135	CLINIC P M600 SG IP65	ED	47	5150	6000K	110	1
70021	PAN LED 600X600	ED	45	4200	3000K	93	5
70022	PAN LED 600X600	ED	45	4200	4000K	93	5
70023	PAN LED 1200X300	ED	45	4200	3000K	93	5
70024	PAN LED 1200X300	ED	45	4200	4000K	93	5
70029	PAN LED 600X600 1-10V	0-10V	45	4200	3000K	93	5
70030	PAN LED 600X600 1-10V	0-10V	45	4200	4000K	93	5
70031	PAN LED 1200X300 1-10V	0-10V	45	4200	3000K	93	5
70032	PAN LED 1200X300 1-10V	0-10V	45	4200	4000K	93	5

LENS PANEL LED

Code	Description	Driver Type	Watt	Lumen	CCT	lm/w	Packing
40161	PAN RTI M600 U19C90	ED	36	5000	4000K	139	5
40162	PAN RTI M600 U19C90	ED	36	5000	6000K	139	5
40163	PAN RTI 30x120 U19C90	ED	35	5000	4000K	143	5
40164	PAN RTI 30x120 U19C90	ED	35	5000	6000K	143	5
40130	LENSPAN 418 M600 U19 C90	ED	25	3230	3000K	129	5
40131	LENSPAN 418 M600 U19 C90	ED	25	3400	4000K	136	5
40132	LENSPAN 418 M600 U19 C90	ED	25	3400	6000K	136	5
40133	LENSPAN 236 30X120 U19C90	ED	32	4275	3000K	134	5
40134	LENSPAN 236 30X120 U19C90	ED	32	4500	4000K	141	5
40135	LENSPAN 236 30X120 U19C90	ED	32	4500	6000K	141	5

FUNZIONE LED

Code	Description	Driver Type	Watt	Lumen	CCT	lm/w	Packing
170ED3	FUNZIONE3 170 ED CR190	ED	24	2700	3000K	112	10
226ED4	FUNZIONE3 226 ED CR190	ED	13.5	1500	4000K	111	10

DOWNLIGHT COMPACT LED

Code	Description	Driver Type	Watt	Lumen	CCT	lm/w	Packing
71050	DWL LED ULTRA IP42, CUTT OUT 7.5cm	-	8	720	3000K	90	20
71051	DWL LED ULTRA IP42, CUTT OUT 7.5cm	-	8	720	4000K	90	20
71058	DWL LED IP42, CUTT OUT 20.5cm	-	30	2700	3000K	90	6
71059	DWL LED IP42, CUTT OUT 20.5cm	-	30	2700	4000K	90	6





LED LAMPS

"GLS" LED LAMP 60 - 150W REPLACEMENT

Code	Watt	Volt	Cap	Dimmable	Lumen	CCT	Packing
S16603	9	220-240	E27	X	806	3000K	100
S16604	9	220-240	E27	X	806	4000K	100
S16605	9	220-240	E27	X	820	6500K	100
S15236	11	220-240	E27	X	1060	3000K	100
S17428	11	220-240	E27	X	1060	4000K	100
S15237	11	220-240	E27	X	1060	6500K	100
S16609	15	220-240	E27	X	1521	3000K	100
S16610	15	220-240	E27	X	1521	4000K	100
S16611	15	220-240	E27	X	1521	6500K	100
S15349	20	220-240	E27	X	1700	3000K	20
S15351	20	220-240	E27	X	1700	6500K	20

"GOLF" LED LAMP 25 - 40W REPLACEMENT

Code	Watt	Volt	Cap	Dimmable	Lumen	CCT	Packing
S16577	5	220-240	E27	X	470	3000K	100
S15339	6	220-240	E27	X	470	6500K	100
S16579	5	220-240	E14	X	470	3000K	100
S15240	6	220-240	E14	X	470	6500K	100

"CANDLE" LED LAMP 40W REPLACEMENT

Code	Watt	Volt	Cap	Dimmable	Lumen	CCT	Packing
S16591	5	220-240	E14	X	470	3000K	100
S16592	5	220-240	E14	X	470	4000K	100
S16593	5	220-240	E14	X	470	6500K	100
S8853 "Crystal"	6	220-240	E14	X	470	3000K	72
S16588	5	220-240	E27	X	470	3000K	100
S15398	5	220-240	E27	X	470	6500K	100

"B-Type" LED LAMP 40W REPLACEMENT

Code	Watt	Volt	Cap	Dimmable	Lumen	CCT	Packing
S8904 "Crystal"	5.5	220-240	B15	X	470	2700K	12
S12868 "Filament"	4	220-240	B22	X	470	2700K	12





LED LAMPS

"GU10" LED LAMP 20 - 50W REPLACEMENT

Code	Watt	Volt	Cap	Dimmable	Lumen	CCT	Packing
S16566	3	220-240	GU10	X	230	3000K	100
S16567	3	220-240	GU10	X	230	4000K	100
S16569	4	220-240	GU10	X	350	3000K	100
S16570	4	220-240	GU10	X	350	4000K	100
S16571	4	220-240	GU10	X	350	6500K	100
S18490	6	220-240	GU10	X	425	3000K	100
S14001	6	220-240	GU10	✓	560	3000K	100
S9408 "GLASS"	4.5	220-240	GU10	X	350	3000K	72
S9411 "GLASS"	5.5	220-240	GU10	✓		4000K	72

"MR16" LED LAMP 35 - 50W REPLACEMENT

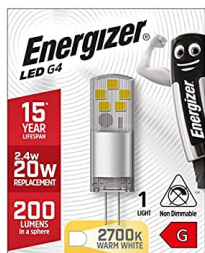
Code	Watt	Volt	Cap	Dimmable	Lumen	CCT	Packing
S10920	6	220-240	GU5.3	X	530	3000K	72
S10922	6	220-240	GU5.3	X	550	4000K	72
S10921	6	220-240	GU5.3	X	550	6500K	72
S8832	4.8	12	GU5.3	X	350	3000K	72

"SPOT R50 + R80" LED LAMP 40 - 60W REPLACEMENT

Code	Watt	Volt	Cap	Dimmable	Lumen	CCT	Packing
S9014	6	220-240	E14	X	450	3000K	100
S13107	6	220-240	E14	X	465	6500K	100
S16616	9	220-240	E27	X	810	3000K	100
S16617	9	220-240	E27	X	810	6500K	100

"G9 + G4" LED LAMP 20 - 30W REPLACEMENT

Code	Watt	Volt	Cap	Dimmable	Lumen	CCT	Packing
S18746	2.4	12	G4	X	200	2700K	72
S13013 "Filament"	2	220-240	G9	X	210	3000K	72
S18867	3.5	220-240	G9	✓	350	3000K	72



S18746

S13013

S18867



LED LAMPS



"FILAMENT GLS" LED LAMP 40 - 60W REPLACEMENT

Code	Watt	Volt	Cap	Dimmable	Lumen	CCT	Packing
S12858	8	220-240	E27	X	1060	2700K	72
S12852	7.2	220-240	E27	✓	806	2700K	100

"FILAMENT GOLF" LED LAMP 40W REPLACEMENT

Code	Watt	Volt	Cap	Dimmable	Lumen	CCT	Packing
S12872	4	220-240	E14	X	470	2700K	72
S17429	4.8	220-240	E27	✓	470	2700K	72

"FILAMENT CANDLE" LED LAMP 25 - 40W REPLACEMENT

Code	Watt	Volt	Cap	Dimmable	Lumen	CCT	Packing
S12869	4	220-240	E14	X	470	2700K	72
S19998	4	220-240	E14	X	470	2700K	72
S12867	2	220-240	E14	X	250	2700K	72
S12856	4.5	220-240	E14	✓	470	2700K	72

"FILAMENT PYGMY" LED LAMP REPLACEMENT

Code	Watt	Volt	Cap	Dimmable	Lumen	CCT	Packing
S13561	2	220-240	E14	X	200	3000K	72
S13564	"2-Pack"	4	220-240	X	420	3000K	72

"FILAMENT CANDLE" LED LAMP 25 - 40W REPLACEMENT

Code	Watt	Volt	Cap	Dimmable	Lumen	CCT	Packing
S15392	7.5	220-240	E27	✓	600	2200K	72
S15026	5.5	220-240	E27	✓	500	2200K	72
S15394	7.2	220-240	E27	✓	600	2000K	24
S15395	7.2	220-240	E27	✓	600	2000K	8

LED PANEL, HIGHBAY & FITTINGS



"BACKLIT" LED PANEL AND ACCESSORIES

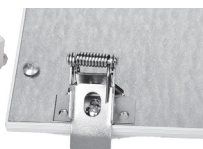
Code	Watt	Volt	Description	Lumen	CCT	Packing
S13889	40	220-240	LED panel light 600M	4000	6500K	6
S17425	-	220-240	Emergency Kit 3 Hours	-	-	10
S17424	40-36	220-240	LED panel light driver	-	-	10
S17426	-	-	Kit of clips for the panel	-	-	10
S17427	-	-	Frame for surface mounting support	-	-	1



S13889



S17425



S17426

S14661



S14428



Motion detectors & Photocell

Code	Description	LED Watt	Color	IP	Packing
S14661	Adjustable 180 Degree PIR Movement Sensor		White	44	50
S14428	Surface Mounted PIR Sensor		White	20	50
S13385	Standalone Photocell		Black	44	50
S12969	Adjustable Photocell		Black	44	50



S13385



S12969



DIMMABLE

S17455




LED HIGHBAY

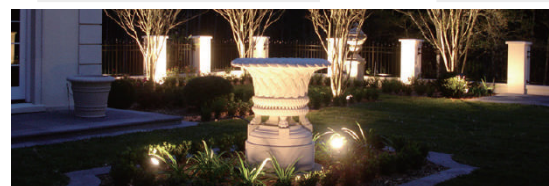
Code	Watt	Volt	Description	IP	Lumen	CCT	Packing
S17455	150	220-240	LED DIM Highbay light	65	19500	6500K	1
S17456	200	220-240	LED DIM Highbay light	65	34000	6500K	1
S17457	-	-	Reflector	-	-	-	1

OUTDOOR LED LIGHTING




LAROUPI

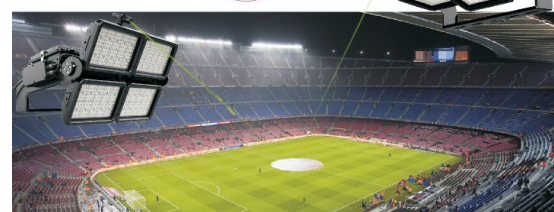
Standard LED flood light

Code	Watt	Volt	Dimmable	IP	Lm/W	Lumen	CCT	Packing
BLS10W	10	85-265	X	65	100	1000		24
BLS20W	20	85-265	X	65	100	2000		24
BLS30W	30	85-265	X	65	100	3000	6500K 	12
BLS50W	50	85-265	X	65	100	5000	4000K 	12
TG100W	100	85-265		65	130	13000	3000K 	4
TG150W	150	85-265	on request	65	130	19500		2
TG200W	200	85-265		65	130	26000		1






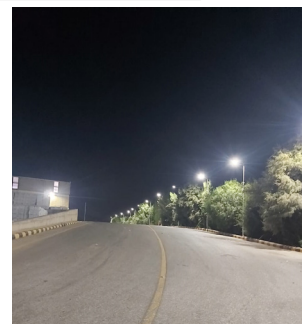
Hi-Power LED Stadium Light

Code	Watt	Volt	Dimmable	IP	Lm/W	Lumen	CCT	Packing
BR200W	200	90-265 Vac		66	160	32000		1
BR300W	300	90-265 Vac		66	160	48000		1
BR400W	400	90-265 Vac		66	160	64000	6500K 	1
BR500W	500	90-265 Vac	on request	66	160	80000	4000K 	1
BR600W	600	90-265 Vac		66	160	96000	3000K 	1
BR800W	800	90-265 Vac		66	160	128000		1
BR1.0KW	1000	90-265 Vac		66	160	160000		1
BR1.2KW	1200	90-265 Vac		66	160	192000		1





LED Street Light

Code	Watt	Volt	Sensor	IP	Lm/W	Lumen	CCT	Packing
BS100W	100	90-265 Vac	on request	65	140	14000	6500K 	1
BS150W	150	90-265 Vac		65	140	21000	4000K 	1
BS200W	200	90-265 Vac		65	140	28000	3000K 	1



LED Canopy Light

Code	Watt	Volt	Sensor	IP	Lm/W	Lumen	CCT	Packing
BC150W	150	90-265 Vac	on request	65	140	21000	6500K  4000K 	1



INDOOR LED LIGHTING

LAROUNG

LED strip light



Code	Watt/Mtr.	Volt	IP	Lm/W	Lumen	(A)/W	CCT
L2835X120-12V-3K-IP20	10 W	12 Vdc	20	110	1100	0.834 Amp / watt	3000K
L2835X120-12V-4K-IP20	10 W	12 Vdc	20	120	1200		4000K
L2835X120-12V-6K-IP20	10 W	12 Vdc	20	120	1200		6000K
L2835X120-12V-3K-IP65	10 W	12 Vdc	65	110	1100		3000K
L2835X120-12V-4K-IP65	10 W	12 Vdc	65	120	1200		4000K
L2835X120-12V-6K-IP65	10 W	12 Vdc	65	120	1200		6000K
L2835X120-12V-3K-IP68	10 W	12 Vdc	68	110	1100		3000K
L2835X120-12V-4K-IP68	10 W	12 Vdc	68	120	1200		4000K
L2835X120-12V-6K-IP68	10 W	12 Vdc	68	120	1200		6000K

Code	Watt/Mtr.	Volt	IP	Lm/W	Lumen	(A)/W	CCT
L2835X240-12V-3K-IP20	22 W	12 Vdc	20	115	2530	0.834 Amp / watt	3000K
L2835X240-12V-4K-IP20	22 W	12 Vdc	20	125	2750		4000K
L2835X240-12V-6K-IP20	22 W	12 Vdc	20	12	2750		6000K
L2835X240-12V-3K-IP65	22 W	12 Vdc	65	115	2530		3000K
L2835X240-12V-4K-IP65	22 W	12 Vdc	65	125	2750		4000K
L2835X240-12V-6K-IP65	22 W	12 Vdc	65	125	2750		6000K

LED Module Light



Code	Dimension (L x W x H)	Power	Volt (DC)	Angle	Life Time (Hours)	CCT
LANX3PW	55.5mmx13mmx7mm	0.72W, 60mA, 69lm	12	120	50,000	6000K
LANX3PWW	55.5mmx13mmx7mm	0.72W, 60mA, 63lm	12	120	50,000	3000K
LANX3PR	55.5mmx13mmx7mm	0.72W, 60mA, 15.9lm	12	120	50,000	Red
LANX3PG	55.5mmx13mmx7mm	0.72W, 60mA, 28.8lm	12	120	50,000	Green
LANX3PB	55.5mmx13mmx7mm	0.72W, 60mA, 11.7lm	12	120	50,000	Blue
LANX3PY	55.5mmx13mmx7mm	0.72W, 60mA, 53.1lm	12	120	50,000	Yellow

Code	Dimension (L x W x H)	Power	Volt (DC)	Angle	Life Time (Hours)	CCT
LANX3SDW3	66mm x 15mm x 10.8mm	1.2W, 100mA, 120lm	12	155	50,000	6000K
LANX3SDWW3	66mm x 15mm x 10.8mm	1.2W, 100mA, 120lm	12	155	50,000	3000K
LANX3SDR3	66mm x 15mm x 10.8mm	1.2W, 100mA, 120lm	12	155	50,000	Red
LANX3SDG3	66mm x 15mm x 10.8mm	1.2W, 100mA, 120lm	12	155	50,000	Green
LANX3SDB3	66mm x 15mm x 10.8mm	1.2W, 100mA, 120lm	12	155	50,000	Blue
LANX3SDY3	66mm x 15mm x 10.8mm	1.2W, 100mA, 120lm	12	155	50,000	Yellow

Code	Dimension (L x W x H)	Power	Volt (DC)	Angle	Life Time (Hours)	CCT
LANXSH_3W/ ANXSHP6	43mm x 43mm x 19.2mm	3W, 200mA, 240lm	12	40	50,000	6000K
LANXSH_1W/ ANXSHP3	43mm x 43mm x 19.2mm	1.2W, 100mA, 120lm	12	40	50,000	6000K



LAROU

INDOOR LED LIGHTING

LED Power Supply



Code	Watt	Input Volt	Output Volt	Amper	IP	Dimmable	Housing
JLV-12036K	36	100-250 V	12 Vdc	3	IP20	X	Aluminum Standard Profile
JLV-12060K	60	170-250 V	12 Vdc	5		X	
JLV-12100K	100	170-250 V	12 Vdc	8.33		X	
JLV-12120K	120	170-250 V	12 Vdc	10		X	
JLV-12150K	150	170-250 V	12 Vdc	12.5		X	
JLV-12200K	200	170-250 V	12 Vdc	16.7		X	
JLV-12240K	240	170-250 V	12 Vdc	20		X	
JLV-12300K	300	170-250 V	12 Vdc	25		X	
JLV-12400K	400	170-250 V	12 Vdc	33.33		X	
JLV-12500K	500	170-250 V	12 Vdc	41.67		X	
JLV-12600K	600	170-250 V	12 Vdc	50		X	

Code	Watt	Input Volt	Output Volt	Amper	IP	Dimmable	Housing
JLV-12020KA	20	100-250 V	12 Vdc	1.67	IP67	X	Aluminum Compact Profile
JLV-12030KA	30	170-250 V	12 Vdc	2.5		X	
JLV-12040KA	40	170-250 V	12 Vdc	3.33		X	
JLV-12060KA	60	170-250 V	12 Vdc	3.75		X	
JLV-12075KA	75	170-250 V	12 Vdc	5		X	
JLV-120100KA	100	170-250 V	12 Vdc	8.33		X	
JLV-120120KA	120	170-250 V	12 Vdc	10		X	
JLV-120150KA	150	170-250 V	12 Vdc	12.5		X	
JLV-120200KA	200	170-250 V	12 Vdc	16.7		X	
JLV-120250KA	250	170-250 V	12 Vdc	20.8		X	
JLV-120300KA	300	170-250 V	12 Vdc	25		X	

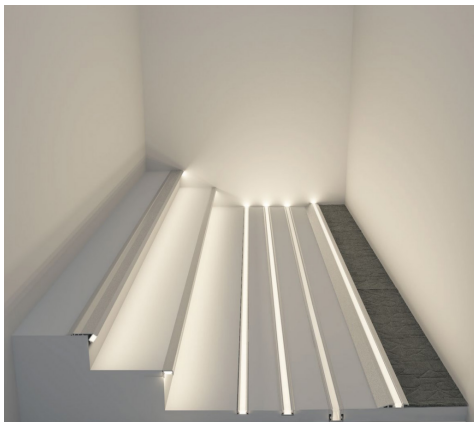
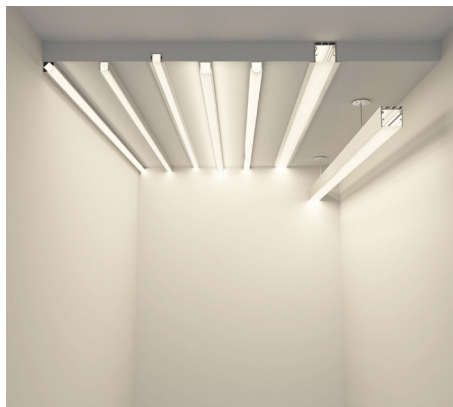
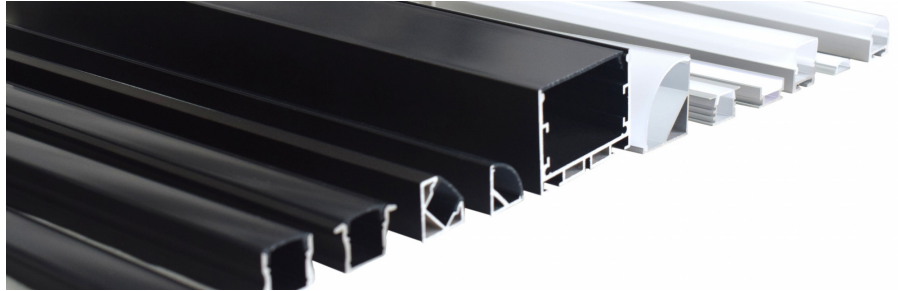
Code	Watt	Input Volt	Output Volt	Amper	IP	Dimmable	Housing
JLV-12036D	36	100-250 V	12 Vdc	3	IP20	✓	Aluminum Standard Profile
JLV-12060D	60	170-250 V	12 Vdc	5		✓	
JLV-12100D	100	170-250 V	12 Vdc	8.33		✓	
JLV-12120D	120	170-250 V	12 Vdc	10		✓	
JLV-12150D	150	170-250 V	12 Vdc	12.5		✓	
JLV-12200D	200	170-250 V	12 Vdc	16.7		✓	
JLV-12240D	240	170-250 V	12 Vdc	20		✓	
JLV-12300D	300	170-250 V	12 Vdc	25		✓	
JLV-12400D	400	170-250 V	12 Vdc	33.33		✓	
JLV-12500D	500	170-250 V	12 Vdc	41.67		✓	
JLV-12600D	600	170-250 V	12 Vdc	50		✓	

T5 LED Fixture

Code	Watt	Volt	Dimmable	IP	Length	Lumen	CCT	Packing
TSAB-4W-WH	4	220V	X	20	30 cm	320	6500K	30
TSAB-8W-WH	8	220V	X	20	60 cm	640		30
TSAB-12W-WH	12	220V	X	20	90 cm	960		30
TSAB-16W-WH	16	220V	X	20	120 cm	1280		30
TSAB-4W-WW	4	220V	X	20	30 cm	320	3000K	30
TSAB-8W-WW	8	220V	X	20	60 cm	640		30
TSAB-12W-WW	12	220V	X	20	90 cm	960		30
TSAB-16W-WW	16	220V	X	20	120 cm	1280		30

Linear LED Profile

LED profile has many solutions and different sizes with different frame colors and diffuser options, for more information kindly email our sales department: info@alahdabco.com



FUMAGALLI Lighting has many solutions for outdoor LED lighting with variety of colors, models, design, CCT.

All solutions for:

Inground Recessed, Urban Classic and Modern, Bollards, Bricklight, Floodlight, Garden, Bulkhead, Post.

For more information kindly email our sales department:
info@alahdabco.com

Outdoor Lighting



Outdoor Lighting

LAMPETI LIGHTING

LAMPETI Lighting one of the biggest professional producer for outdoor LED lighting poles.
Produce their poles from pure aluminum and any requested design depends to your project needs.



Moona Series



Samos Series



Recta Wood



Zen Series

For more information kindly email our sales department:
info@alahdabco.com

**MADE IN
TURKEY**

Ventilation System



**XF100S
XF150BS**



**XF100A
XFA150BS**



CQF100S



**XFS230
XFS300**



**XFS230A
XFS300A**

Bathroom Fans

Code	Description	Watt	m ³ /h	l/s	Pa	dB(A)	Packing
XF100S	Bathroom standard fan 4"	20	85	23	20	41.0	10
XF100A	Bathroom automatic shutter fan 4"	20	85	23	20	41.0	10

Kitchen Fans

Code	Description	Watt	m ³ /h	l/s	Pa	dB(A)	Packing
XF150BS	Kitchen standard fan 6"	25	230	64	50	40.0	10
XFA150BS	Kitchen automatic shutter fan 6"	25	230	64	50	40.0	10

SILENT Fan

Code	Description	Watt	m ³ /h	l/s	Pa	dB(A)	Packing
CQF100S	Quiet fan conceal standard 4"	7	75	21	20	27.0	10

Commercial Fans 9" - 230mm - In & Out

Code	Description	Watt	m ³ /h	l/s	Pa	dB(A)	Packing
XFS230	Commercial standard fan 9"	41	668	198	50	50.0	3
XFS230A	Commercial automatic shutter fan 9"	41	668	198	50	50.0	3

Commercial Fans 12" - 300mm - In & Out

Code	Description	Watt	m ³ /h	l/s	Pa	dB(A)	Packing
XFS300	Commercial standard fan 12"	68	1100	306	60	60.0	3
XFS300A	Commercial automatic shutter fan 12"	68	1100	306	60	60.0	3



**MF100S
MF150S
MF200S**



**ID100S
ID150S**



**10410
10610**



**1010
1014**



Ventilation System



Commercial InDuct Fans

Code	Description	Speed	RPM	Watt	m ³ /h	l/s	Pa	dB(A)
MF100S	MixFlo 3-speeds Induct fan 4"	H	2400	25	245	68	200	24
		M	2100	23	216	60	170	22
		L	1700	20	180	50	120	20
MF150S	MixFlo 3-speeds Induct fan 6"	H	2400	48	500	138	190	35
		M	2100	46	460	127	150	33
		L	1700	42	400	111	130	31
MF200S	MixFlo 3-speeds Induct fan 8"	H	2750	120	855	238	220	48
		M	2700	113	738	205	190	48
		L	2000	110	648	180	180	48

Shower In-Line Fans

Code	Description	RPM	Watt	m ³ /h	l/s	Pa	dB(A)
ID100S	In-Line fan with bracket 4"	2400	20	85	23	20	41.0
ID150S	In-Line fan with bracket 6"	2400	25	85	23	50	40.0

Ventilation Ducts

Code	Description	Packing
10410	PVC flexible ducting 100mm/4"	10 meters
10610	PVC flexible ducting 150mm/6"	10 meters
1010	Aluminium flexible ducting 100mm/4"	3 meters
1014	Aluminium flexible ducting 150mm/6"	3 meters

Duct Tape

Code	Description	Packing
1130	Aluminium Tape 50mm	45 meters
1140	Grey PVC Tape 50mm	10 meters
14033W	White PVC Tape 50mm	33 meters

Duct Clamp

Code	Description	Packing
1100	Metal Worm Drive Clamp 50mm-110mm / 4"	10 meters
1120	Metal Worm Drive Clamp 60mm-325mm / 6"	10 meters



Ventilation System

Grills

Code	Description	Packing
2100W	Internal Circular Grilles White 4"	10
2150W	Internal Circular Grilles White 6"	10
1145W	140 x 140mm Egg Crate Grille White 4"	10
1148W	180 x 180mm Egg Crate Grille White 6"	10

Shutters

Code	Description	Packing
1162W	140 x 140mm Gravity Shutter Grille White 4"	10
1202W	180 x 180mm Gravity Shutter Grille White 6"	10
1209FG	286 x 286mm Gravity Shutter Grille White 9"	2
1206FG	362 x 362mm Gravity Shutter Grille White 12"	2
1240W	Weather Proof Cowled Wall Outlet White 4"	10
1242W	Weather Proof Cowled Wall Outlet White 6"	10

Code	Description	Packing
1152w	140 x 140mm Fixed Louvre Grille White 4"	10

Bend, T & Y Accessories

Code	Description	Packing
44900	90 Degree Pipe Bend 4"	10
66900	90 Degree Pipe Bend 6"	10
44920	PVC T Piece 4"	10
44940	PVC T Piece 6"	10
44950	PVC Y Piece 4"	10
44970	PVC Y Piece 6"	10

Reducers

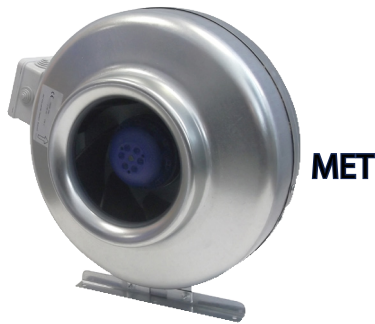
Code	Description	Packing
54119	PVC 5" To 4" Circular Reducer	10
64619	PVC 6" To 4" Circular Reducer	10
65118	PVC 6" To 5" Circular Reducer	10
86117	Metal 8" To 6" Circular Reducer	1

Ventilation System



In-line Centrifugal Industrial Fan

Code	Description	RPM	Watt	m ³ /h	l/s	Pa	dB(A)
MET100	In-line Centrifugal Fan 4"	1990	42	277	77	100	47
MET125	In-line Centrifugal Fan 5"	1907	44	388	108	100	47
MET150	In-line Centrifugal Fan 6"	2409	62	759	211	100	51
MET200	In-line Centrifugal Fan 8"	2505	96	788	219	100	50
MET250	In-line Centrifugal Fan 10"	2505	94	817	227	100	53
MET315	In-line Centrifugal Fan 12"	2370	205	1339	372	100	61

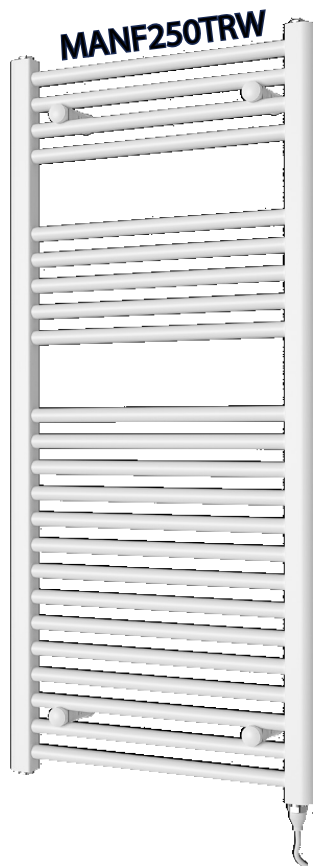


Control Accessories

Code	Description	Packing
1351	Remote Timer Control	1
1361	Remote Humidistat Control and Timer	1

Heating Solutions

Code	Description	Watt
HCONHT	Convactor heater with timer 24hr, three heating setting: 750/1250/2000w, thermostatic control	2000
HP24TIMPH100T	Panel heater with programmable timer, silent in operation, high efficiency of airflow with over 95% of used energy creating heat, user friendly LCD display screen, 12 pre-set programmes available, program and real-time clock memory function, 24 hour On/Off Timer, anti-frosting function, child safety lock, over-heat safety protection	1000
IP24 MANF250TRW	White Ladder Towel Rail New and improved IP55 rated, plug kit can be handed left or right, heating element included, steel construction with high quality white and chrome finishes, complete fitting set supplied	250
IP55 SUNB2000BL-MAN	Sunburst Outdoor Radiant Heater Instant heat from switch on, economical and easy to install, , silent in operation, one second heat up time, precision heating directed where you need it	2000



IP65



Industrial Ventilation System



FPSM
FPST



"FPSM" Square axial fan with plastic blade (Single Phase)

Code	Volt/Hz	Watt	(A)	Rpm	m ³ /h	dB(A)
FPSM 250	230/50	120	1.20	1460	1700	59
FPSM 300	230/50	130	1.20	1450	2500	59
FPSM 350	230/50	155	1.35	1425	3700	61
FPSM 400	230/50	185	1.45	1410	5000	64
FPSM 450	230/50	210	1.58	1390	6000	63
FPSM 500	230/50	225	2.02	1375	7000	67

"FPST" Square axial fan with plastic blade (Three Phase)

Code	Volt/Hz	Watt	(A)	Rpm	m ³ /h	dB(A)
FPST 250	380/50	120	1.20	1460	1700	59
FPST 300	380/50	130	1.20	1450	2500	59
FPST 350	380/50	155	1.35	1425	3700	61
FPST 400	380/50	185	1.45	1410	5000	64
FPST 450	380/50	210	1.58	1390	6000	63
FPST 500	380/50	225	2.02	1375	7000	67

PSMK
PSTK



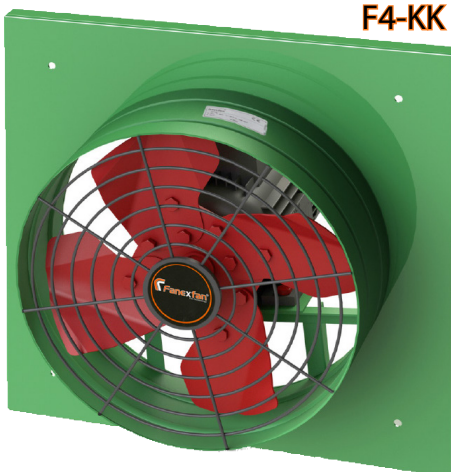
"PSMK" Square axial fan with metal blade (Single Phase)

Code	Volt/Hz	Watt	(A)	Rpm	m ³ /h	dB(A)
PSMK 250	230/50	120	1.08	1460	1250	54
PSMK 300	230/50	130	1.20	1450	2100	55
PSMK 350	230/50	155	1.10	1425	3200	59
PSMK 400	230/50	185	1.20	1410	4500	62
PSMK 450	230/50	210	1.22	1390	5450	66
PSMK 500	230/50	225	1.01	1375	6900	70
PSMK 600	230/50	250	1.02	1375	8000	72

"PSTK" Square axial fan with metal blade (Three Phase)

Code	Volt/Hz	Watt	(A)	Rpm	m ³ /h	dB(A)
PSTK 250	380/50	120	1.08	1460	1300	54
PSTK 300	380/50	130	1.20	1450	2250	55
PSTK 350	380/50	155	1.10	1425	3250	59
PSTK 400	380/50	185	1.20	1410	4600	62
PSTK 450	380/50	210	1.22	1390	5600	66
PSTK 500	380/50	225	1.01	1375	7150	70
PSTK 600	380/50	250	1.02	1375	8200	72

F4-KK



"F4-KK" Square axial fan with metal blade (EXTERNAL MOTOR)

Code	Volt/Hz	HP	KW	(A)	Rpm	m ³ /h
F4-KK-300-01	230/380/50	1/2	0.37	1.15	1400	2500
F4-KK-350-01	230/380/50	1/2	0.37	1.15	1400	3250
F4-KK-400-01	230/380/50	3/4	0.55	1.6	1400	4750
F4-KK-450-01	230/380/50	3/4	0.55	1.6	1400	5500
F4-KK-500-01	230/380/50	3/4	0.55	1.6	1400	7000
F4-KK-550-01	230/380/50	1	0.75	2.1	1400	10000
F4-KK-600-01	230/380/50	1	0.75	2.1	1400	11000
F4-KK-650-01	230/380/50	1.5	1.1	2.6	1400	14500
F4-KK-700-01	230/380/50	2	1.5	3.5	1400	16500
F4-KK-750-01	230/380/50	3	2.2	5	1400	20500
F4-KK-800-01	230/380/50	3	2.2	5	1400	24500
F4-KK-900-01	230/380/50	4	3	6.6	1400	32000
F4-KK-1000-01	380/50	7.5	5.5	11.2	1400	40000
F4-KK-1120-01	380/50	15	11	21.4	1400	65000
F4-KK-1250-01	380/50	15	11	21.4	1400	88000

MADE IN
TURKEY

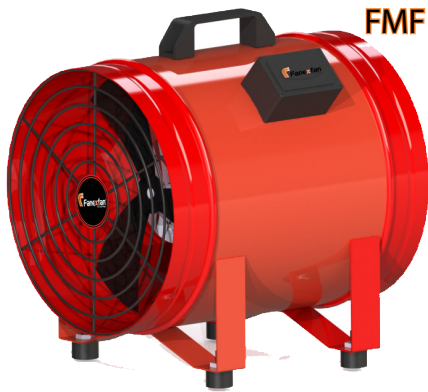
Industrial Ventilation System



LKT

“LKT” Backward curved round In-Line duct fans

Code	Volt/Hz	Watt	(A)	Rpm	m³/h	dB(A)
LKT 100-B	230/50	72	0.33	2540	255	45
LKT 125-B	230/50	72	0.37	2480	330	43
LKT 160-B	230/50	120	0.55	2600	760	44
LKT 200-B	230/50	160	0.74	2750	1140	47
LKT 250-B	230/50	195	0.98	2710	1250	48
LKT 315-B	230/50	190	0.90	2800	1875	49
LKT 355-B	230/50	240	1.10	1370	1500	55

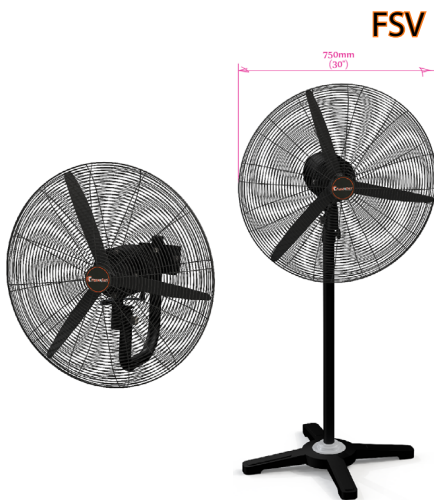


FMF

“FMF” Portable smoke exhaust fans

Code	Volt/Hz	Watt	(A)	Rpm	m³/h	Pa
FMF-300	230/50	190	0.99	2800	3500	250
FMF-350	230/50	260	0.91	2800	5000	250
FMF-400	230/50	420	1.90	2800	6500	250
FMF-450	230/50	525	1.55	2800	7500	250
FMF-500	230/50	625	2.82	2800	8500	250
FMF-550	230/50	190	0.98	1400	5500	100
FMF-600	230/50	230	1.06	1400	8000	100

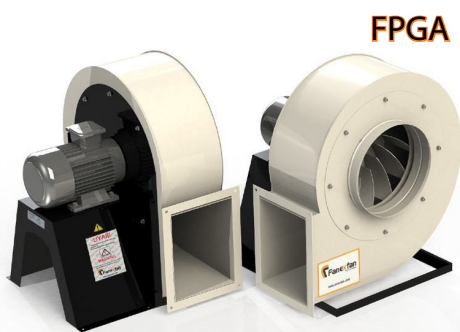
For fire rated (F300 / F400) fans, kindly contact our engineering department.



FSV

“FSV” Commercial stand and wall mounting fans

Code	Volt/Hz	Watt	(A)	Rpm	m³/h	dB(A)
FSV-750-A	230	285	1.30	1350	17000	86
FSV-750-D	230	285	1.30	1350	17000	86



FPGA

“FPGA” Plastic ACID fans (PP)

Code	Volt/Hz	HP	KW	(A)	Rpm	m³/h	Pa
FPGA-0.5	230/380 /50	1/2	0.37	1.15	1400	1500	400
FPGA-1	230/380 /50	1	0.75	2.10	1400	2500	500
FPGA-1.5	230/380 /50	1.5	1.1	2.60	1400	3500	600
FPGA-2	230/380 /50	2	1.5	3.50	1400	4500	700
FPGA-3	230/380 /50	3	2.2	5.00	1400	5500	800
FPGA-4	230/380 /50	4	3	6.60	1400	6500	900
FPGA-5.5	380/50	5.5	4	8.20	1400	7500	1000
FPGA-7.5	380/50	7.5	5.5	11.20	1400	9000	1000
FPGA-10	380/50	10	7.5	15.40	1400	12000	1000

MADE IN
TURKEY

Industrial Ventilation System



FBSY



FGS



FBO



FBK

"FBSY" Forward curved low pressure centrifugal fans

Code	Volt/Hz	HP	KW	(A)	Rpm	m³/h	Pa
FBSY-0.5	230/380/50	1/2	0.37	1.15	1400	1500	400
FBSY-1	230/380/50	1	0.75	2.10	1400	3000	500
FBSY-1.5	230/380/50	1.5	1.1	2.60	1400	4000	600
FBSY-2	230/380/50	2	1.5	3.50	1400	5000	700
FBSY-3	230/380/50	3	2.2	5.00	1400	6500	800
FBSY-4	230/380/50	4	3	6.60	1400	7500	900
FBSY-5.5	380/50	5.5	4	8.20	1400	8500	1000
FBSY-7.5	380/50	7.5	5.5	11.20	1400	10500	1100
FBSY-10	380/50	10	7.5	15.40	1400	12500	1200

"FGS" Backward curved low pressure centrifugal fans

Code	Volt/Hz	HP	KW	(A)	Rpm	m³/h	Pa
FGS-0.5	230/380/50	1/2	0.37	1.15	1400	2000	350
FGS-1	230/380/50	1	0.75	2.10	1400	3000	400
FGS-1.5	230/380/50	1.5	1.1	2.60	1400	4500	450
FGS-2	230/380/50	2	1.5	3.50	1400	6000	500
FGS-3	230/380/50	3	2.2	5.00	1400	8000	550
FGS-4	230/380/50	4	3	6.60	1400	10000	600
FGS-5.5	380/50	5.5	4	8.20	1400	12000	650
FGS-7.5	380/50	7.5	5.5	11.20	1400	16000	700
FGS-10	380/50	10	7.5	15.40	1400	20000	750
FGS-15	380/50	15	11	21.00	1400	25000	850
FGS-20	380/50	20	15	29.80	1400	30000	1000
FGS-25	380/50	25	18.5	34.50	1400	35000	1100
FGS-30	380/50	30	22	42.50	1400	40000	1200
FGS-40	380/50	40	30	55.00	1400	45000	1500
FGS-50	380/50	50	37	67.00	1400	50000	1500

"FBO" Medium pressure centrifugal fans

Code	Volt/Hz	HP	KW	(A)	Rpm	m³/h	Pa
FBO-0.5	230/380/50	1/2	0.37	1.05	2800	1000	1200
FBO-1	230/380/50	1	0.75	1.70	2800	1100	1500
FBO-1.5	230/380/50	1.5	1.1	2.30	2800	1400	2000
FBO-2	230/380/50	2	1.5	3.30	2800	1600	2500
FBO-3	230/380/50	3	2.2	4.48	2800	2100	3500
FBO-4	230/380/50	4	3	5.80	2800	2300	4500
FBO-5.5	380/50	5.5	4	7.40	2800	2600	5000
FBO-7.5	380/50	7.5	5.5	10.30	2800	3200	6000
FBO-10	380/50	10	7.5	13.60	2800	4200	6500
FBO-15	380/50	15	11	19.50	2800	5800	8000
FBO-20	380/50	20	15	28.30	2800	7000	9000

"FBK" High pressure centrifugal fans

Code	Volt/Hz	HP	KW	(A)	Rpm	m³/h	Pa
FBK-0.5	230/380/50	1/2	0.37	1.05	2800	350	2500
FBK-1	230/380/50	1	0.75	1.70	2800	450	3000
FBK-1.5	230/380/50	1.5	1.1	2.30	2800	550	4000
FBK-2	230/380/50	2	1.5	3.30	2800	600	5000
FBK-3	230/380/50	3	2.2	4.48	2800	700	6000
FBK-4	230/380/50	4	3	5.80	2800	1000	7000
FBK-5.5	380/50	5.5	4	7.40	2800	1250	8000
FBK-7.5	380/50	7.5	5.5	10.30	2800	1500	9000
FBK-10	380/50	10	7.5	13.60	2800	1700	10000
FBK-15	380/50	15	11	19.50	2800	2000	11000
FBK-20	380/50	20	15	28.30	2800	2500	12000

MADE IN
TURKEY

For fire rated (F300 / F400) fans, kindly contact our engineering department.

FHV-SK



FHV-SY



FHS



Industrial Ventilation System



"FHV-SK" Forward curved ventilation units

Code	Fan Type	Volt/Hz	HP	KW	(A)	Rpm	m ³ /h	Pa	dB(A)
FHV-7-01	7×7	230/380/50	1	0.75	2.1	1400	2000	400	81
FHV-7-02	7×7	230/380/50	1.5	1.1	2.6	1400	2500	400	85
FHV-7-03	7×7	230/380/50	2	1.5	3.5	1400	3000	400	87
FHV-9-01	9×9	230/380/50	1.5	1.1	2.6	1400	4000	400	85
FHV-9-02	9×9	230/380/50	2	1.5	3.5	1400	5000	400	91
FHV-9-03	9×9	230/380/50	3	2.2	5.0	1400	6000	400	95
FHV-10-01	10×10	230/380/50	2	1.5	3.5	1400	4500	400	85
FHV-10-02	10×10	230/380/50	3	2.2	5.0	1400	5500	400	86
FHV-10-03	10×10	230/380/50	4	3	6.6	1400	6500	400	90
FHV-10-04	10×10	380/50	5.5	4	8.2	1400	7000	400	97
FHV-12-01	12×12	230/380/50	3	2.2	5.0	1400	7500	400	87
FHV-12-02	12×12	230/380/50	4	3	6.6	1400	8500	400	90
FHV-12-03	12×12	380/50	5.5	4	8.2	1400	9500	400	91
FHV-15-01	15×15	230/380/50	4	3	6.6	1400	10000	400	85
FHV-15-02	15×15	380/50	5.5	4	8.2	1400	12000	400	90
FHV-15-03	15×15	380/50	7.5	5.5	11.2	1400	14000	400	90
FHV-18-01	18×18	380/50	5.5	4	8.2	1400	16000	400	90
FHV-18-02	18×18	380/50	7.5	5.5	11.2	1400	18000	400	92
FHV-18-03	18×18	380/50	10	7.5	15.4	1400	20000	400	90

"FHV-SY" Backward curved ventilation units

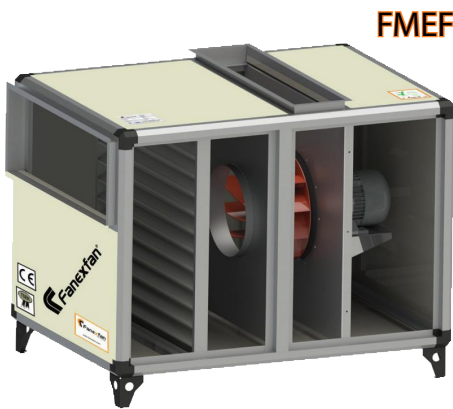
Code	Fan Type	Volt/Hz	HP	KW	(A)	Rpm	m ³ /h	Pa	dB(A)
FHV-250-1	250 A	230/380/50	1	0.75	2.1	1400	3000	400	85
FHV-250-2	250 B	230/380/50	1.5	1.1	2.6	1400	4000	400	85
FHV-280-1	280 A	230/380/50	1.5	1.1	2.6	1400	5000	400	87
FHV-280-2	280 B	230/380/50	2	1.5	3.5	1400	6000	400	87
FHV-315-1	315 A	230/380/50	3	2.2	5.0	1400	7000	400	90
FHV-315-2	315 B	230/380/50	4	3	6.6	1400	8000	400	90
FHV-355-1	355 A	230/380/50	4	3	6.6	1400	10000	400	93
FHV-355-2	355 B	380/50	5.5	4	8.2	1400	12000	400	93
FHV-400-1	400 A	380/50	5.5	4	8.2	1400	13000	400	91
FHV-400-2	400 B	380/50	7.5	5.5	11.2	1400	14000	400	93
FHV-450-1	450 A	380/50	7.5	5.5	11.2	1400	16000	400	95
FHV-450-2	450 B	380/50	10	7.5	15.4	1400	18000	400	95
FHV-500-1	500 A	380/50	10	7.5	15.4	1400	21000	400	97
FHV-500-2	500 B	380/50	15	11	21.0	1400	23000	400	97

"FHS" Backward curved kitchen exhaust fans with double cabinet

Code	Volt/Hz	HP	KW	(A)	Rpm	m ³ /h	Pa
FHS-1	230/380/50	1	0.75	2.10	1400	2500	400
FHS-1.5	230/380/50	1.5	1.1	2.60	1400	4000	450
FHS-2	230/380/50	2	1.5	3.50	1400	6000	500
FHS-3	230/380/50	3	2.2	5.00	1400	8000	550
FHS-4	230/380/50	4	3	6.60	1400	10000	600
FHS-5.5	380/50	5.5	4	8.20	1400	12000	650
FHS-7.5	380/50	7.5	5.5	11.20	1400	16000	700
FHS-10	380/50	10	7.5	15.40	1400	20000	750
FHS-15	380/50	15	11	21.00	1400	25000	850
FHS-20	380/50	20	15	29.80	1400	30000	1000
FHS-25	380/50	25	18.5	34.50	1400	35000	1100
FHS-30	380/50	30	22	42.50	1400	40000	1200
FHS-40	380/50	40	30	55.00	1400	45000	1500
FHS-50	380/50	50	37	67.00	1400	50000	1800

MADE IN
TURKEY

Industrial Ventilation System



FMEF

"FMEF" Kitchen ventilation units with oil filters

Code	Volt/Hz	HP	KW	(A)	Rpm	m ³ /h	Pa
FMEF-1	230/380/50	1	0.75	2.1	1400	2000	400
FMEF-1.5	230/380/50	1.5	1.1	2.6	1400	3000	450
FMEF-2	230/380/50	2	1.5	3.5	1400	5000	500
FMEF-3	230/380/50	3	2.2	5.0	1400	7000	550
FMEF-4	230/380/50	4	3	6.6	1400	8500	600
FMEF-5.5	380/50	5.5	4	8.2	1400	10000	650
FMEF-7.5	380/50	7.5	5.5	11.2	1400	14000	700
FMEF-10	380/50	10	7.5	15.4	1400	18000	750
FMEF-15	380/50	15	11	21.0	1400	22000	850
FMEF-20	380/50	20	15	29.8	1400	26000	1000
FMEF-25	380/50	25	18.5	34.5	1400	30000	1100
FMEF-30	380/50	30	22	42.5	1400	35000	1200
FMEF-40	380/50	40	30	55.0	1400	40000	1500
FMEF-50	380/50	50	37	67.0	1400	45000	1800



FDRC

"FDRC" Radial blade roof fan

Code	Volt/Hz	W	(A)	Rpm	m ³ /h	dB(A)
FDRC-250	230/50	145	1.10	2650	800	49
FDRC-280	230/50	190	0.90	2800	1200	52
FDRC-315	230/50	135	0.60	1400	1500	42
FDRC-355	230/50	240	1.10	1400	2500	43
FDRC-400	230/50	510	2.35	1400	3500	44
FDRC-450	230/50	510	2.35	1400	5000	47
FDRC-500	380/50	700/1070	2.18	1400	7500	48
FDRC-560	380/50	1500/2850	4.40	1400	9500	54



FDRC-H

"FDRC-H" Radial blade roof fan with external motor

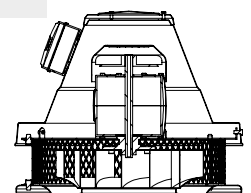
Code	Volt/Hz	HP	KW	(A)	Rpm	m ³ /h	dB(A)
FDRC-H-280	230/380/50	1/3	0.25	0.81	1400	1000	48
FDRC-H-315	230/380/50	1/2	0.37	1.15	1400	1750	50
FDRC-H-355	230/380/50	3/4	0.55	1.60	1400	2500	51
FDRC-H-400	230/380/50	1	0.75	2.10	1400	3500	53
FDRC-H-450	230/380/50	1.5	1.10	2.60	1400	5000	55
FDRC-H-500	230/380/50	2	1.50	3.50	1400	8000	56
FDRC-H-560	230/380/50	3	2.20	5.00	1400	10000	60



FRCF

"FRCF" Radial roof fans

Code	Voltage (Volt/Hz)	Motor Power Watt	Speed (RPM)	Air Flow (m ³ /h)
FRCF-2800	230/380/50	550	2800	1850
FRCF-1400	230/380/50	550	1400	1000



For fire rated (F300 / F400) fans, kindly contact our engineering department.

MADE IN TURKEY

Industrial Ventilation System



FCF



FKCF



FDB

"FCF" Horizontal outlet radial roof fans

Code	Volt/Hz	W	(A)	Rpm	m³/h	dB(A)
FCF 190	230/50	76	0.37	2500	410	45
FCF 220	230/50	145	0.63	2600	950	47
FCF 250	230/50	200	0.87	2510	1300	48
FCF 315	230/50	190	0.90	2800	1870	49
FCF 355	230/50	240	1.10	1350	2750	50
FCF 400	230/50	510	2.30	1410	3750	52
FCF 450	230/50	510	2.30	1390	6290	53
FCF 500	400/50	700/1070	2.18	1375	8000	54
FCF 560	400/50	1500/2580	4.40	1360	10000	63

"FKCF" Horizontal outlet axial roof fans (Pressurizing fans)

Code	(Volt/Hz)	HP	KW	(A)	RPM	m³/h	dB(A)
FKCF-300	380/5	1/2	0.37	1.15	1400	2500	46
FKCF-350	380/5	1/2	0.37	1.15	1400	3250	47
FKCF-400	380/5	3/4	0.55	1.60	1400	4750	48
FKCF-450	380/5	3/4	0.55	1.60	1400	5500	51
FKCF-500	380/5	3/4	0.55	1.60	1400	7000	53
FKCF-550	380/5	1	0.75	2.10	1400	10000	55
FKCF-600	380/5	1	0.75	2.10	1400	11000	58
FKCF-650	380/5	1.5	1.1	2.60	1400	14500	59
FKCF-700	380/5	2	1.5	3.50	1400	16500	61
FKCF-750	380/5	3	2.2	5.00	1400	20500	62
FKCF-800	380/5	3	2.2	5.00	1400	24500	64
FKCF-900	380/5	4	3	6.60	1400	32000	66
FKCF-1000	380/5	7.5	5.5	11.20	1400	40000	68
FKCF-1120	380/5	15	11	21.40	1400	65000	72
FKCF-1250	380/5	15	11	21.40	1400	88000	75

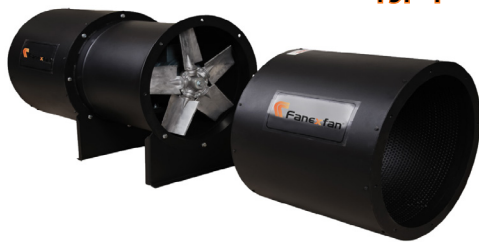
"FDB" Smoke exhaust and pressurizing fans with metal blade

Code	(Volt/Hz)	HP	KW	(A)	RPM	m³/h
FDB-30-01	230/380/50	1/2	0.37	1.15	1400	2500
FDB-35-01	230/380/50	1/2	0.37	1.15	1400	3250
FDB-40-01	230/380/50	3/4	0.55	1.60	1400	4750
FDB-45-01	230/380/50	3/4	0.55	1.60	1400	5500
FDB-50-01	230/380/50	3/4	0.55	1.60	1400	7000
FDB-55-01	230/380/50	1	0.75	2.10	1400	10000
FDB-60-01	230/380/50	1	0.75	2.10	1400	11000
FDB-65-01	230/380/50	1.5	1.10	2.60	1400	14500
FDB-70-01	230/380/50	2	1.50	3.50	1400	16500
FDB-75-01	230/380/50	3	2.20	5.00	1400	20500
FDB-80-01	230/380/50	3	2.20	5.00	1400	24500
FDB-90-01	230/380/50	4	3	6.60	1400	32000
FDB-100-01	380/50	7.5	5.50	11.20	1400	40000
FDB-112-01	380/50	15	11	21.00	1400	65000
FDB-125-01	380/50	15	11	22.00	900	88000

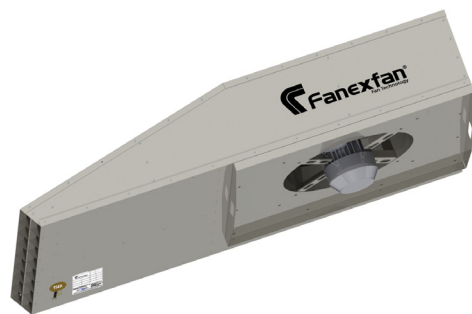
For fire rated (F300 / F400) fans, kindly contact our engineering department.



Industrial Ventilation System



FJF-T



FJF-T-R

"FJF-T" Jet fans with aluminium blade

Code	(Volt/Hz)	HP	KW	(A)	RPM	m ³ /h	dB(A)
FJF-T-315-01	380/50	1	0.75	1.70	2800	4400	73
FJF-T-315-02	380/50	1.5	1.10	2.30	2800	6000	76
FJF-T-355-01	380/50	1.5	1.10	2.30	2800	6400	76
FJF-T-355-02	380/50	2	1.50	3.30	2800	8000	82
FJF-T-400-01	380/50	2	1.50	3.30	2800	9000	82
FJF-T-400-02	380/50	3	2.20	4.48	2800	10500	84
FJF-T-450	380/50	3	2.20	4.48	2800	12000	84
FJF-T-500	380/50	5.5	4	7.40	2800	18000	87
FJF-T-560	380/50	10	7.5	13.60	2800	25000	90
FJF-T-630	380/50	20	15	19.50	2800	36000	94

"FJF-T-R" Radial Jet fans - Single speed

Code	(Volt/Hz)	HP	KW	(A)	RPM	m ³ /h	dB(A)
FJF-T-R-315	380/50	3/4	0.55	1.36	1400	2500	64
FJF-T-R-355	380/50	1	0.75	1.71	1400	3500	66
FJF-T-R-400	380/50	1.5	1.10	2.56	1400	4500	68
FJF-T-R-450	380/50	2	1.50	3.19	1400	6000	70
FJF-T-R-500	380/50	3	2.20	4.16	1400	8000	95
FJF-T-R-560	380/50	4	3	5.94	1400	10000	100

For fire rated (F300 / F400) fans, kindly contact our engineering department.

MADE IN TURKEY



MADE IN ITALY

TIRACAMINOTC 10 M

Code	(Volt/Hz)	W	(A)	(RPM)	(m ³ /h)	(dBa)	Pa
15000: Tiracamino	220-240 /50-60	120	0.5	1400	750-910	52	186
12966: C 1.5 (COMANDO EL. 1.5 A)		SPEED CONTROL FOR "TIRACAMINO"					





Decorative Ceiling Fans

We have many decorative ceiling fan with very high quality.

Depends to your style, you can choose the wood color, LED lighting color temperature.



You can choose:
Built-in LED chip
or
LED lamps with different
color: 2.7/3/4/6.5K





Travelling to Europe (Schuko)

World Travel Adapters



SKROSS®
ADAPT TO THE WORLD

Compatibility (on the top side)



World to Europe

Code	(A)	Description	Packing	Colour
1.500211	16	Adapter from multi-standard to German Standard. Sockets: 2 round pins, 16A	CE 20	White



World to UK

Code	(A)	Description	Packing	Colour
1.500220	13	Adapter from multi-standard to British Standard. With Fuse. Sockets: 3 flat pins, 13A	CE 20	White



Europe to UK

Code	(A)	Description	Packing	Colour
1.500207	13	Adapter from German standard to British Standard. With Fuse. Sockets: 3 flat pins, 13A	CE 20	White



World to Italy

Code	(A)	Description	Packing	Colour
1.500223	16	Adapter from multi-standard to Italian Standard. Sockets: 3 round pins, 16A	CE 20	White

World Adapter MUV Micro

For travellers from all over the world to more than 150 countries; outstanding compact



Compatibility (on the socket side)



Australia, USA, UK, Euro
China, Japan

Code	(A)	Description	Packing	Colour
1302180	2.5	International (Traveller) Adapter	CE 20	White

Specifications

- Input voltage: 100 V – 250 V
- Max. load: 2.5 A
- Power rating: e.g. at 100 V – 250 W / 250 V – 625 W
- Replaceable fuse
- Suitable for equipment with unearthed plugs (-2pole)

World to Europe USB

Safe connection in Europe (Schuko) for all your devices including USB



Compatibility (on the top side)



Australia, USA, UK, Italy, Switzerland
China

Code	(A)	Description	Packing	Colour
1500260	16	Adapter from world to Europe with USB	CE 20	White

Specifications

- Suitable for -3 & -2pole plugs & USB devices
- USB output: 5 V / 2100 mA
- Input voltage: 100 V – 250 V
- Max. load: 16 A
- Compatible in all "Schuko"-countries

"NEVE UP"

"PLANA"

"PLANA" & "NEVE UP"



VIMAR



Description	PLANA		NEVE UP		Packing
	White	White	White	Black	
1-Way switch 10A	14000	09001	09001.CM	50	
2-Way switch 10A	14004	09005	09005.CM	50	
4-Way switch 16A	14013	09013	09013.CM	50	
Boiler switch 16A without roker	14001.0	09001.0.250		50	
Cover for boiler switch	14026	09021.N	09021.N.CM	50	
Pushbutton 10A	14008.0	09008.0.250		50	
Cover for pushbutton, bell symbol	14021.C	09021.C	09021.C.CM	50	
Cover switch, light symbol	14021.L	09021.H	09021.H.CM	20	
LED dimmer 100W, 1M	87895BI	09135.1	09135.1.CM	1	
Pushbutton 10A with label, 2M	14050			20	
Double pole Water heater switch 20A	14016.WH	09015	09015.CM	50	
1-Way switch 3-Gang 20A	14003			20	
2-Way switch 3-Gang 20A	14007			20	
Shutter switch 10A 250V	14060	09060	09060.CM	10	
Italian std. socket 2P+E 16A	14203	09203	09203.CM	50	
US std. socket 2P 16A	14234	09234	09234.CM	20	
German std. socket 2P+E 16A	14208	09209	09209.CM	20	
Multistandard socket 13A	14257	09257	09257.CM	20	
USB socket type A+C, 1M	82893			6	
Italian std. socket 2P+E 16A RED	14203.R			20	
German std. socket 2P+E 16A with cover	14208.C			20	
USA std. socket 2P+E 15A 127V	14242			20	
British std. socket 13A	14219			20	
British std. socket 15A	14218			20	
Sat coaxial socket	32190	09318	09318.CM	10	
RJ11 socket	23708	09320	09320.CM	10	
RJ45 Cat6 socket	23710	09339.6	09339.6.CM	10	
Bell buzzer 230V	14378	09378	09378.CM	10	
Sign LED lamp		00936.250.A		50	
Shaver socket 230-120V, 3M	14290	09290	09290.CM	1	
Blank plate	14041	09041	09041.CM	100	
HDMI socket	14346			1	
Breaker switch 1P, 16A	14404.16			10	
LED night light	14389			5	
2 Module support frame	14607	09603.1		40	
3 Module support frame	14613	09613		200	
4 Module support frame	14614	09614		40	
7 Module support frame	14617	09617		30	
4 Module support frame for 7x14 box	14609			10	
Support frame for 4+4 modules (8)	14618			5	
Support frame for 7+7 modules (14)	14620			10	
Support frame for 7+7+7 modules (21)	14621			10	
IP40 Enclosure, 1M	14801			40	
IP40 Enclosure, 2M	14802			40	
IP40 Enclosure, 3M	14803			30	
IP40 Enclosure, 4M	14804			40	
IP55 Enclosure, 1M	14901			40	
IP55 Enclosure, 2M	14902			40	
IP55 Enclosure, 3M	14903			30	
IP55 Enclosure, 4M	14904			30	
IP55 Cover for 7x7 box, 2M	14932.01			10	
IP55 Cover, 3M, White	14943.01			20	
IP55 Cover, 3M, Granite Grey	14943.14			20	
IP55 Cover, 4M, White	14944.01			10	
IP66 Enclosure, 2M	14962			20	
Flush mounting box for 8 modules	V71318			10	
Flush mounting box for 14 modules	V71320			20	
Flush mounting box for 21 modules	V71321			10	
Floor socket, 3M		V54303		16	
Flush mounting box for floor socket, 3M		V54903		16	

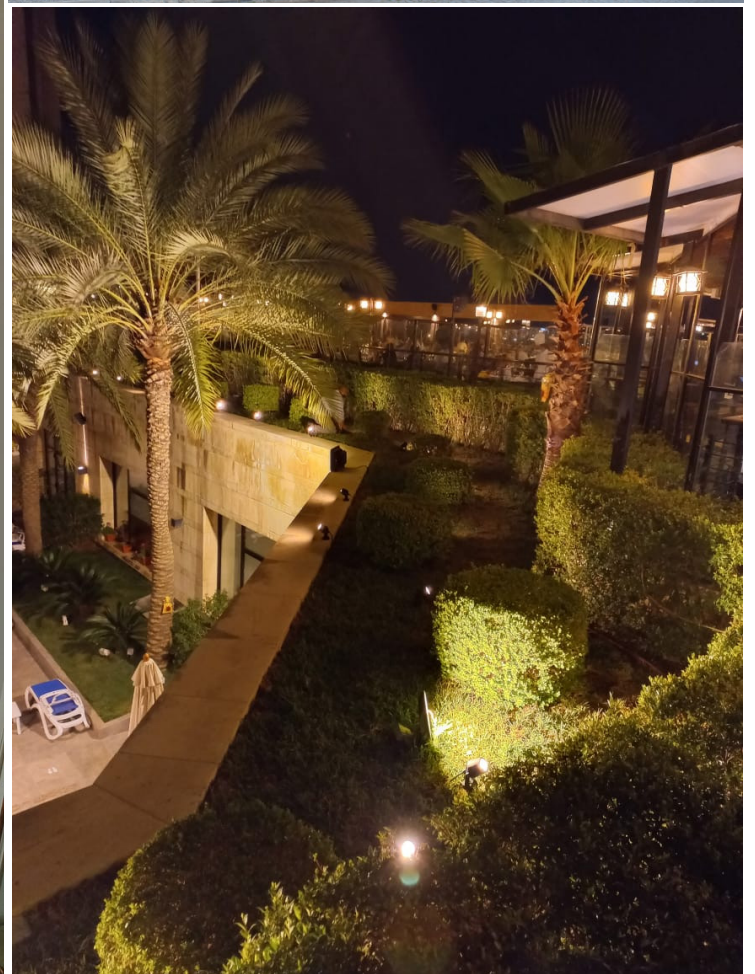
For cover plates color and design, kindly contact our sales department: info@alahdabco.com



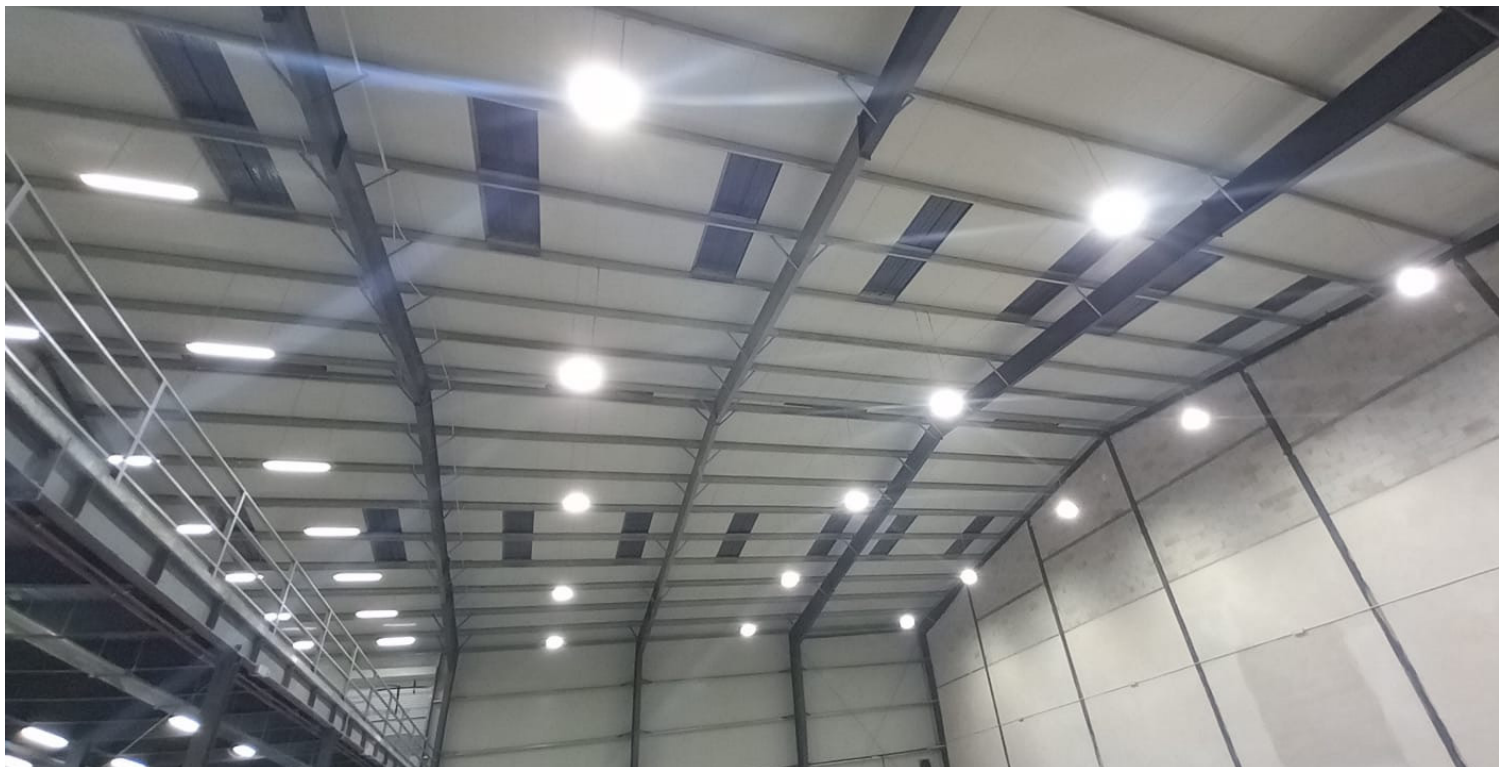
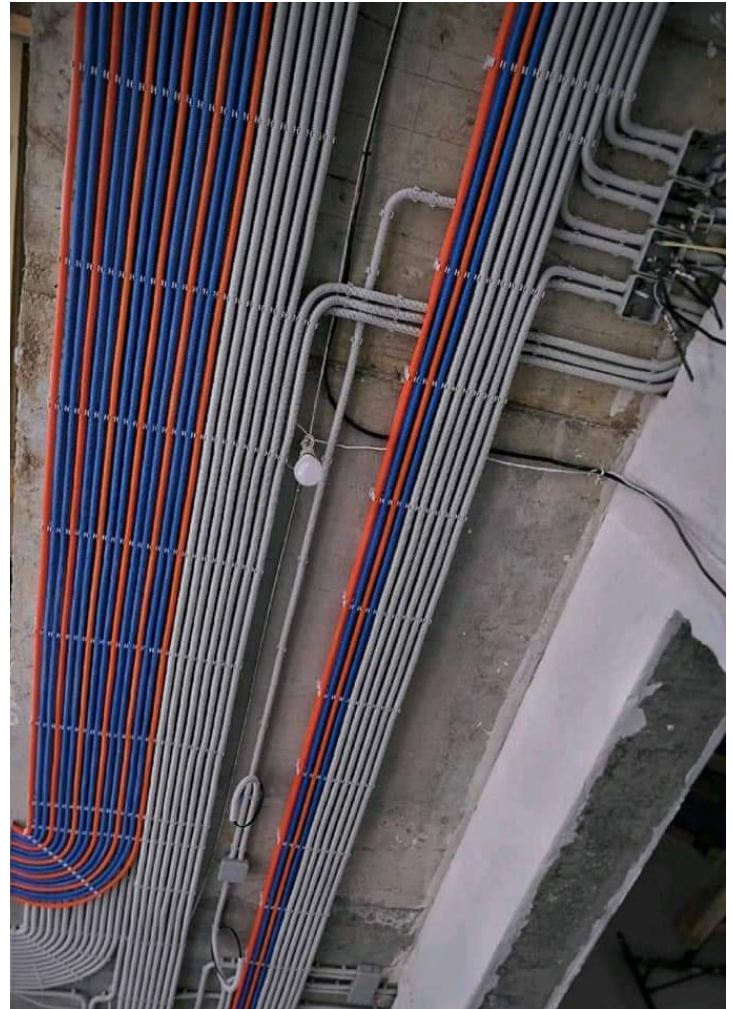
Latest Projects



Latest Projects



Latest Projects



Latest Projects





Handwriting practice area with horizontal red lines and a large, faint watermark of the company logo and the text "SINCE 1970".



Handwriting practice area with horizontal red lines and a large, faint watermark of the company logo and the text "SINCE 1970".

Al-Ahdab Co.

Electric & Trading



SINCE 1970

Head Office

Khilda, 19A, New English Str.

Tel.: +962 6 5525006

Fax: +962 6 5539961

Jabal AlHussein Branch

5A, Asa'd Hamdough Str.

Tel.: +962 6 4610007

Fax: +962 6 4614782

P.O.Box: 7734 Amman 11118 Jordan

info@alahdabco.com

Direct Sales:

+962 799 416 716

+962 79 553 8 553

+962 79 607 93 42

www.alahdabco.com